

PROPRIETARY
 THE INFORMATION CONTAINED IN OR DISCLOSED BY THIS DOCUMENT IS CONSIDERED PROPRIETARY BY STRATEDGE CORPORATION. THE ITEMS AND INFORMATION CONTAINED OR DISCLOSED HEREIN SHALL NOT BE USED, COPIED OR REPRODUCED IN WHOLE OR IN PART, NOR SHALL THE CONTENTS BE REVEALED IN ANY MANNER TO ANY PERSON UNLESS WRITTEN PERMISSION IS FIRST OBTAINED FROM STRATEDGE CORPORATION.

NOTES, UNLESS OTHERWISE SPECIFIED:

- MATERIALS:
 BASE: 1:3:1 CMC (IF NOT AVAILABLE IN .040 THICK WE CAN GO TO .060 THICK).
 CERAMIC: 96% Al₂O₃.
 LEADS: ALLOY 42, ASTM F-29, MIL-I-23011C CLASS 5.

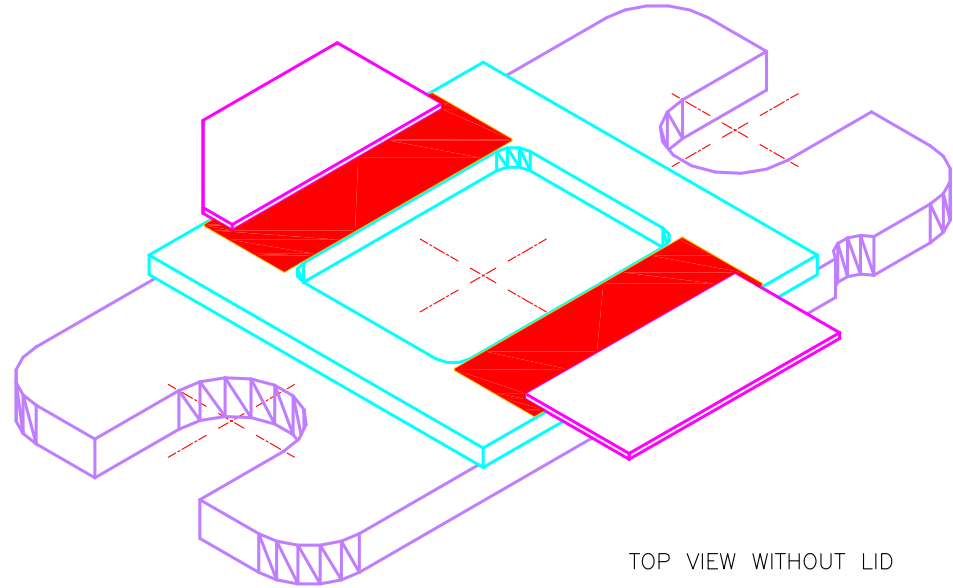
- LEAD, BASE, AND CERAMIC GOLD PLATING THICKNESS SHALL BE 30 MICROINCHES MINIMUM, MEASURED ON MAJOR FLATS.

- LEAD, BASE, AND CERAMIC NICKEL UNDERPLATE SHALL BE 100 TO 350 MICROINCHES, MEASURED ON MAJOR FLATS.

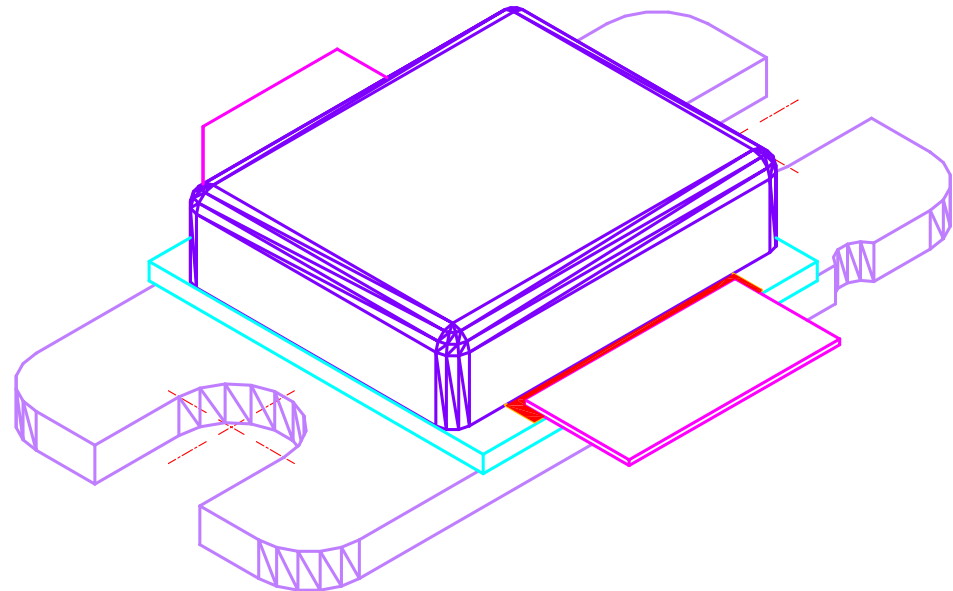
- LID: REFERENCE STRATEDGE PART NUMBER RC3340-096.


△ UN-PLATED SURFACES ARE ACCEPTABLE IN THE FOLLOWING AREAS: LEAD TIPS AND PLATING CLIP MARKS ON BASE EDGES.

- SURFACE TEXTURE: $\sqrt{32}$ OR BETTER

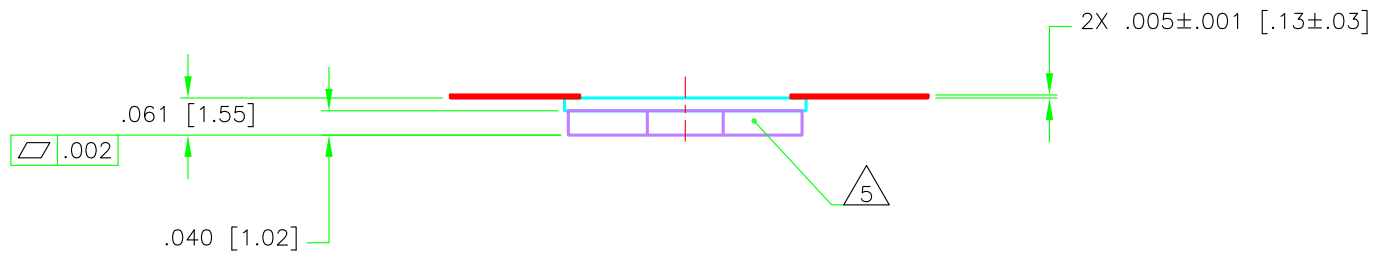
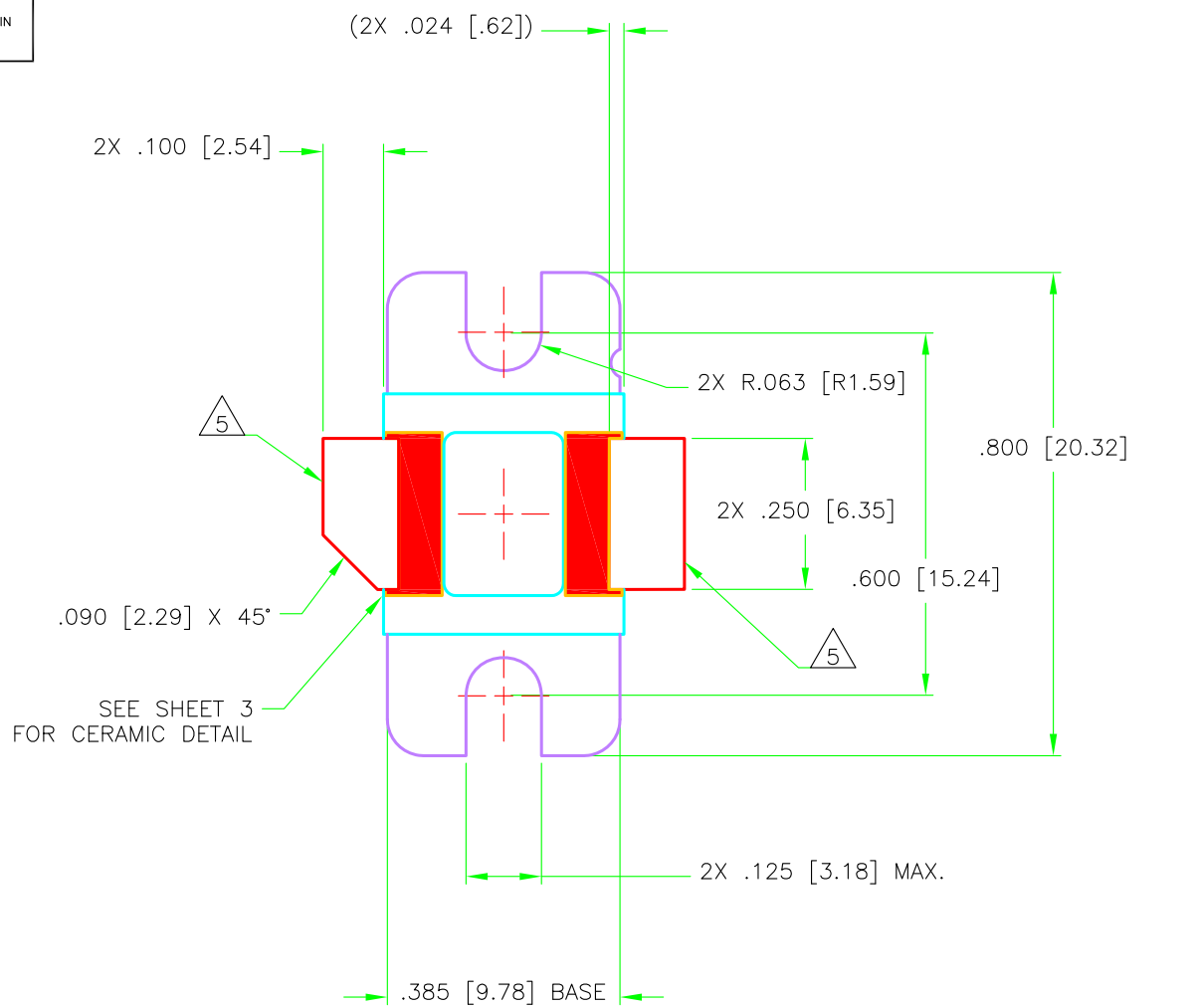


TOP VIEW WITHOUT LID



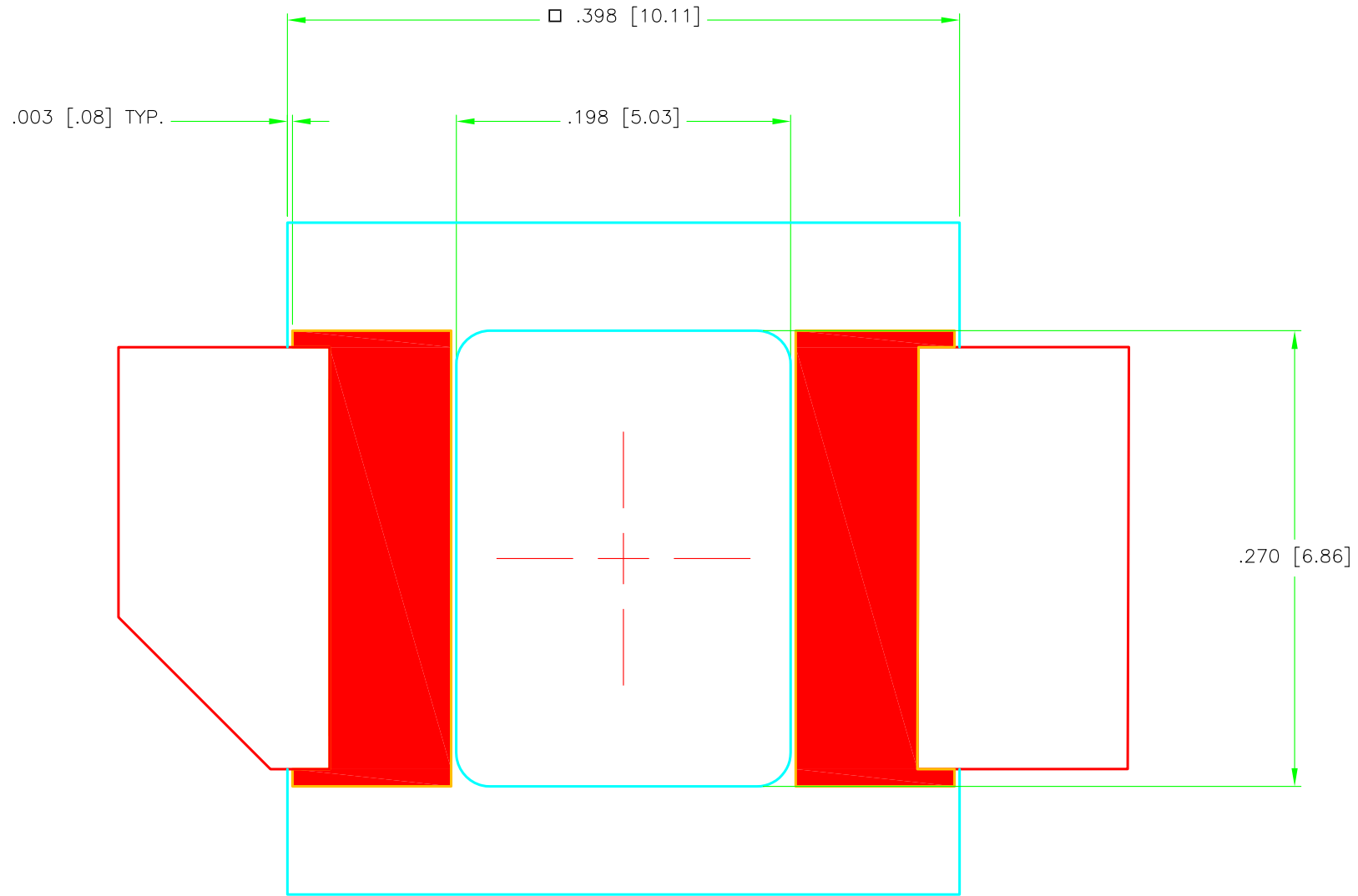
UNLESS OTHERWISE SPECIFIED ● DIMENSIONS ARE IN INCHES [MM] ● TOLERANCES: ANGLES +/- 1 DEG 4 PL DECIMALS ±.0005 [.013] 3 PL DECIMALS ±.005 [.13] 2 PL DECIMALS ±.01 [.25]	DRAFTER DONALD PEHLE	DATE 04/25/11	 6335 Ferris Square, Suite C San Diego, CA 92121		
	PROJECT ENGINEER NAPOLEON FULINARA	DATE 04/25/11			
	CHECKER TIM GOING	DATE 04/25/11	2 LEAD, LAMINATED PACKAGE, .398 [10.11] SQUARE		
	MARKETING HANNAH FOSTER	DATE 04/25/11			
QA DONALD PEHLE	DATE 04/25/11	SIZE A	CAGE CODE OHZT6	DRAWING NO LL803902	REV C
		SCALE NONE	LL803902C1		SHEET 1 OF 4

PROPRIETARY
 THE INFORMATION CONTAINED IN OR DISCLOSED BY THIS DOCUMENT IS CONSIDERED PROPRIETARY BY STRATEDGE CORPORATION. THE ITEMS AND INFORMATION CONTAINED OR DISCLOSED HEREIN SHALL NOT BE USED, COPIED OR REPRODUCED IN WHOLE OR IN PART, NOR SHALL THE CONTENTS BE REVEALED IN ANY MANNER TO ANY PERSON UNLESS WRITTEN PERMISSION IS FIRST OBTAINED FROM STRATEDGE CORPORATION.



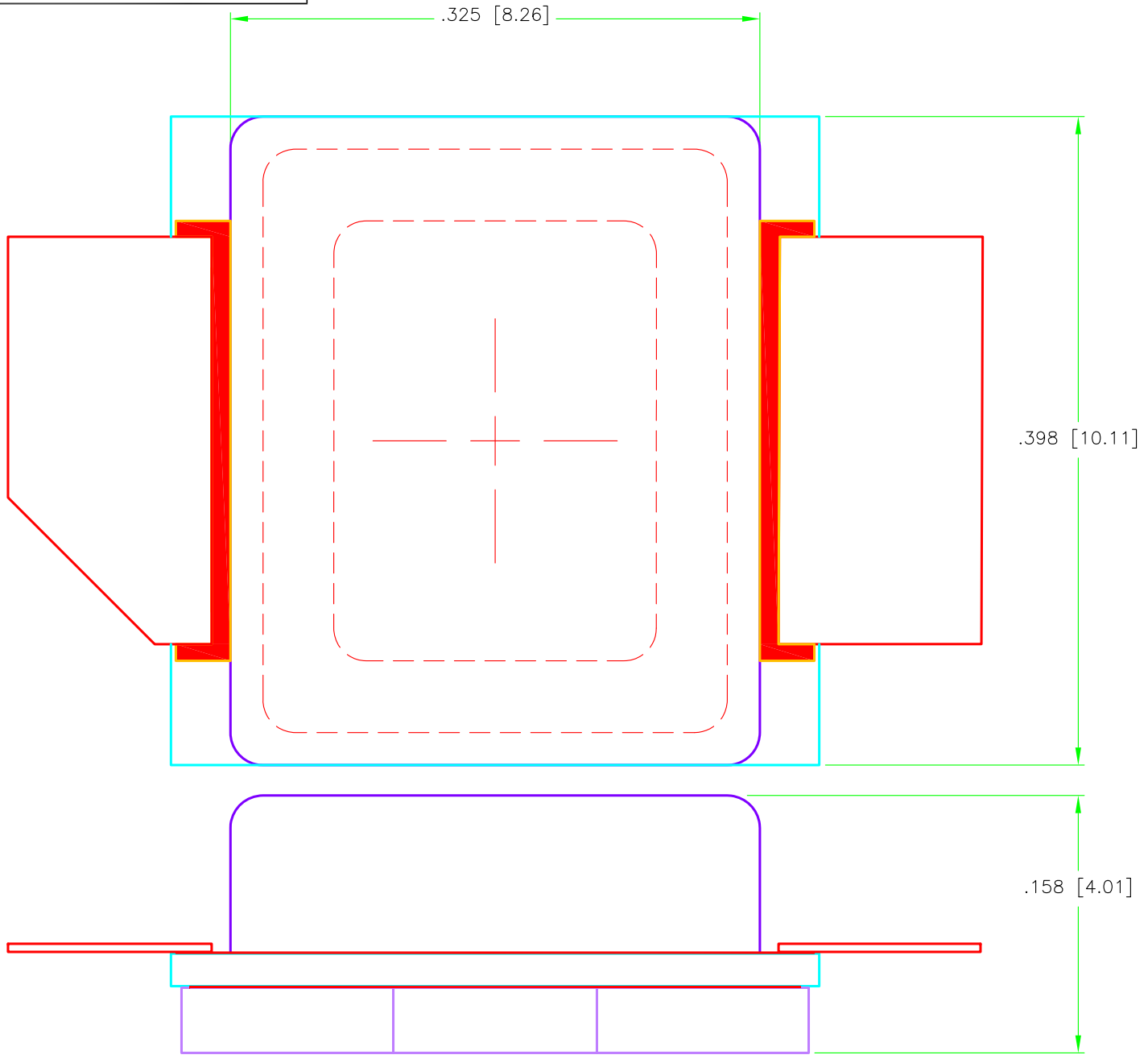
	SIZE	CAGE CODE	DRAWING NO	REV
	A	OHZT6	LL803902	C
SCALE	NONE	LL803902C2	SHEET	2 OF 3

PROPRIETARY
THE INFORMATION CONTAINED IN OR DISCLOSED BY THIS DOCUMENT IS CONSIDERED PROPRIETARY BY STRATEDGE CORPORATION. THE ITEMS AND INFORMATION CONTAINED OR DISCLOSED HEREIN SHALL NOT BE USED, COPIED OR REPRODUCED IN WHOLE OR IN PART, NOR SHALL THE CONTENTS BE REVEALED IN ANY MANNER TO ANY PERSON UNLESS WRITTEN PERMISSION IS FIRST OBTAINED FROM STRATEDGE CORPORATION.



	SIZE	CAGE CODE	DRAWING NO	REV
	A	OHZT6	LL803902	C
SCALE	NONE	LL803902C3	SHEET 3 OF 4	

PROPRIETARY
THE INFORMATION CONTAINED IN OR DISCLOSED BY THIS DOCUMENT IS CONSIDERED PROPRIETARY BY STRATEDGE CORPORATION. THE ITEMS AND INFORMATION CONTAINED OR DISCLOSED HEREIN SHALL NOT BE USED, COPIED OR REPRODUCED IN WHOLE OR IN PART, NOR SHALL THE CONTENTS BE REVEALED IN ANY MANNER TO ANY PERSON UNLESS WRITTEN PERMISSION IS FIRST OBTAINED FROM STRATEDGE CORPORATION.



	SIZE	CAGE CODE	DRAWING NO	REV
	A	OHZT6	LL803902	C
SCALE	NONE	LL803902C4	SHEET 4 OF 4	