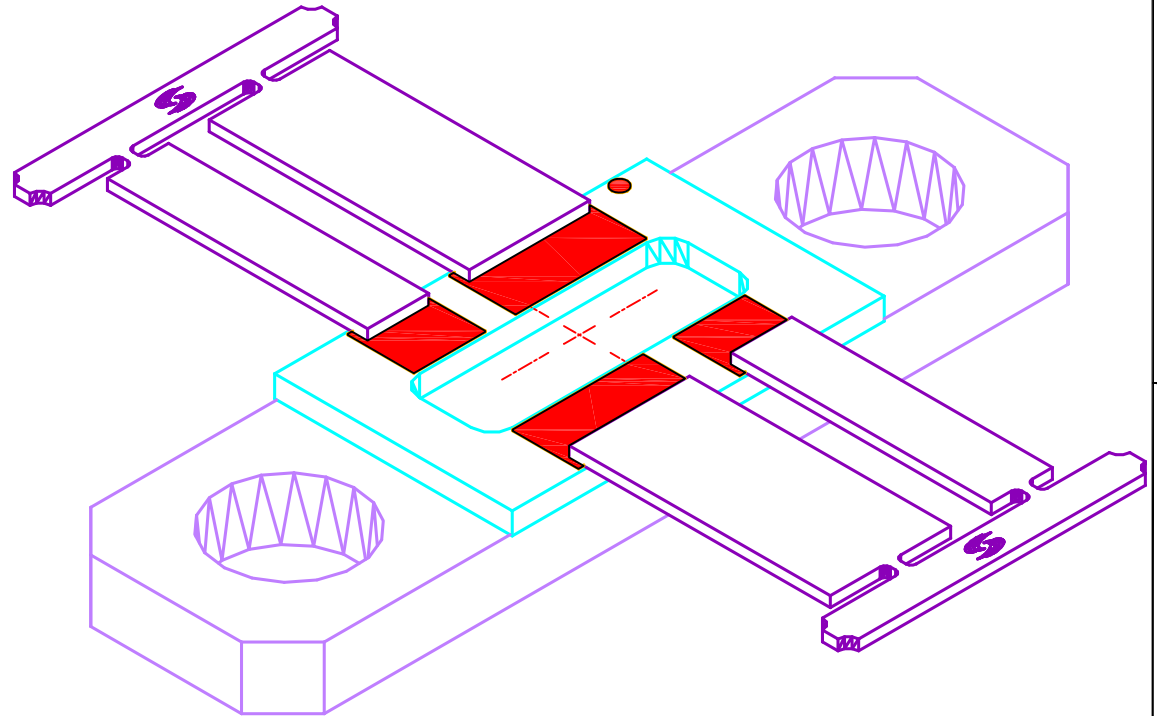



PROPRIETARY
 THE INFORMATION CONTAINED IN OR DISCLOSED BY THIS DOCUMENT IS CONSIDERED PROPRIETARY BY STRATEDGE CORPORATION. THE ITEMS AND INFORMATION CONTAINED OR DISCLOSED HEREIN SHALL NOT BE USED, COPIED OR REPRODUCED IN WHOLE OR IN PART, NOR SHALL THE CONTENTS BE REVEALED IN ANY MANNER TO ANY PERSON UNLESS WRITTEN PERMISSION IS FIRST OBTAINED FROM STRATEDGE CORPORATION.

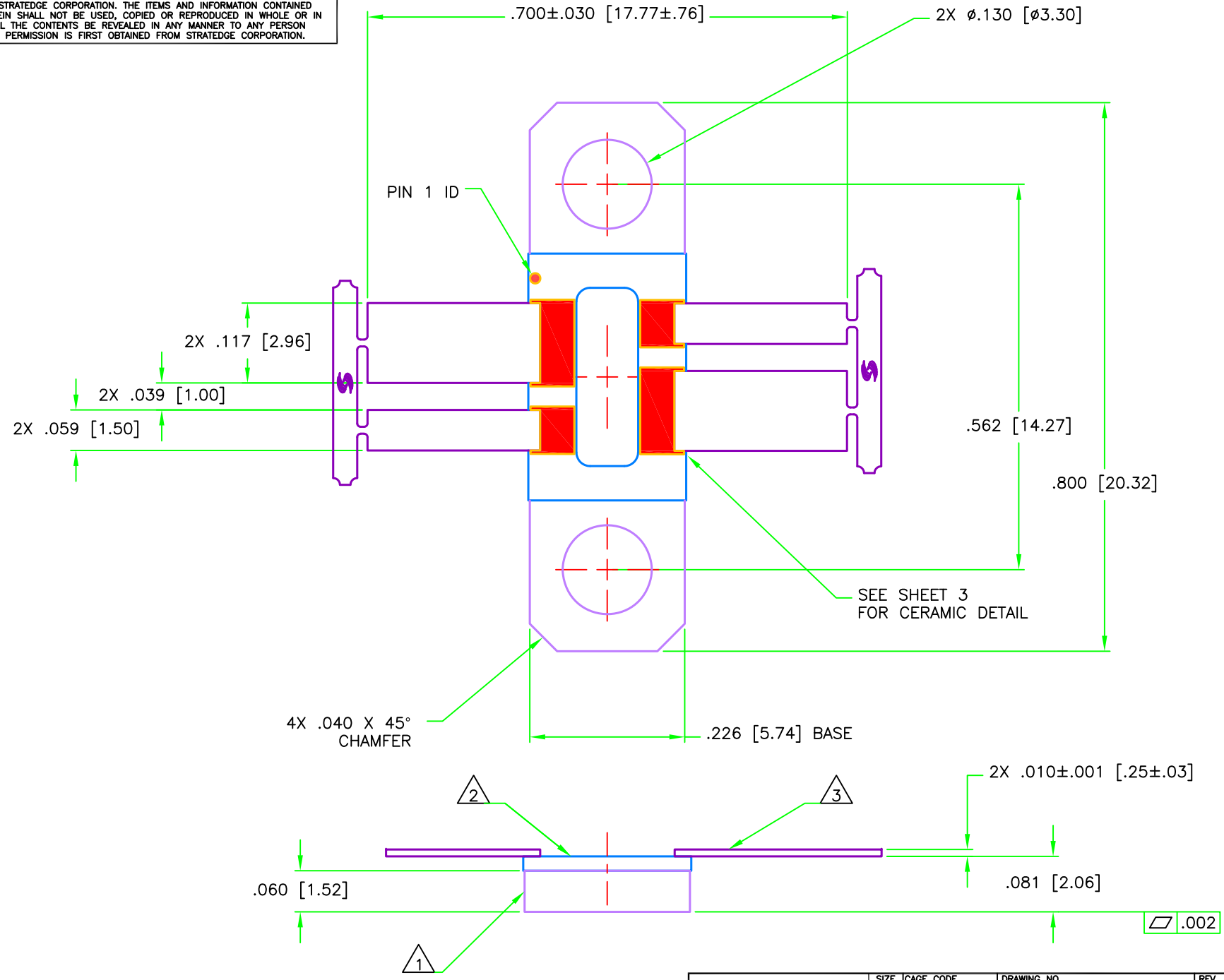
NOTES, UNLESS OTHERWISE SPECIFIED:

1. BASE MATERIAL IS CMC1:3:1.
2. CERAMIC MATERIAL: 96% Al₂O₃.
3. LEAD MATERIAL: ALLOY 42.
4. GOLD PLATING THICKNESS SHALL BE 30 TO 60 MICROINCHES, MEASURED ON MAJOR FLATS.
5. NICKEL UNDERPLATE SHALL BE 100 MIN. MICROINCHES, MEASURED ON MAJOR FLATS.
6. PLATING MUST WITHSTAND 400°C IN AIR FOR 1 MINUTE WITHOUT BLISTERING, FLAKING, OR DISCOLORATION.
7. LID: REFERENCE STRATEDGE PART NUMBER RP1935-050-001.
8. LEAD PULL STRENGTH AT 90° SHALL BE 2 LBS. MIN.
9. BURRS LESS THAN \varnothing .005" AND .001" IN HEIGHT, VOIDS LARGER THAN .003" X .002", OR SCRATCHES THAT EXPOSE BASE METAL TO BE LESS THAN \varnothing .005".
10. SOLDER/BRAZE FLOW OF .012" MAX. INTO THE CAVITY IS ALLOWED BUT CAN NOT HAVE MEASURABLE HEIGHT.
11. SURFACE TEXTURE: $\sqrt{32}$ /OR BETTER.
12. PLATING OF PIN 1 ID IS OPTIONAL AND NOT REQUIRED.



UNLESS OTHERWISE SPECIFIED ● DIMENSIONS ARE IN INCHES [MM] ● TOLERANCES: ANGLES +/- 1 DEG 4 PL DECIMALS ±.0005 [.013] 3 PL DECIMALS ±.005 [.13] 2 PL DECIMALS ±.01 [.25]	DRAFTER DONALD PEHLE	DATE 08/15/18	 9424 Abraham Way Santee, CA 92071		
	PROJECT ENGINEER TIM GOING	DATE 08/15/18			
	CHECKER JERRY CARTER	DATE 08/15/18	4 LEAD RF TRANSISTOR PACKAGE		
	MARKETING CAROL STANLEY	DATE 08/16/18			
QA DONALD PEHLE	DATE 08/16/18	SIZE A	CAGE CODE OHZT6	DRAWING NO LL802304-001	REV A
		SCALE NONE	LL802304-001A1	SHEET 1 OF 3	

PROPRIETARY
 THE INFORMATION CONTAINED IN OR DISCLOSED BY THIS DOCUMENT IS CONSIDERED PROPRIETARY BY STRATEDGE CORPORATION. THE ITEMS AND INFORMATION CONTAINED OR DISCLOSED HEREIN SHALL NOT BE USED, COPIED OR REPRODUCED IN WHOLE OR IN PART, NOR SHALL THE CONTENTS BE REVEALED IN ANY MANNER TO ANY PERSON UNLESS WRITTEN PERMISSION IS FIRST OBTAINED FROM STRATEDGE CORPORATION.

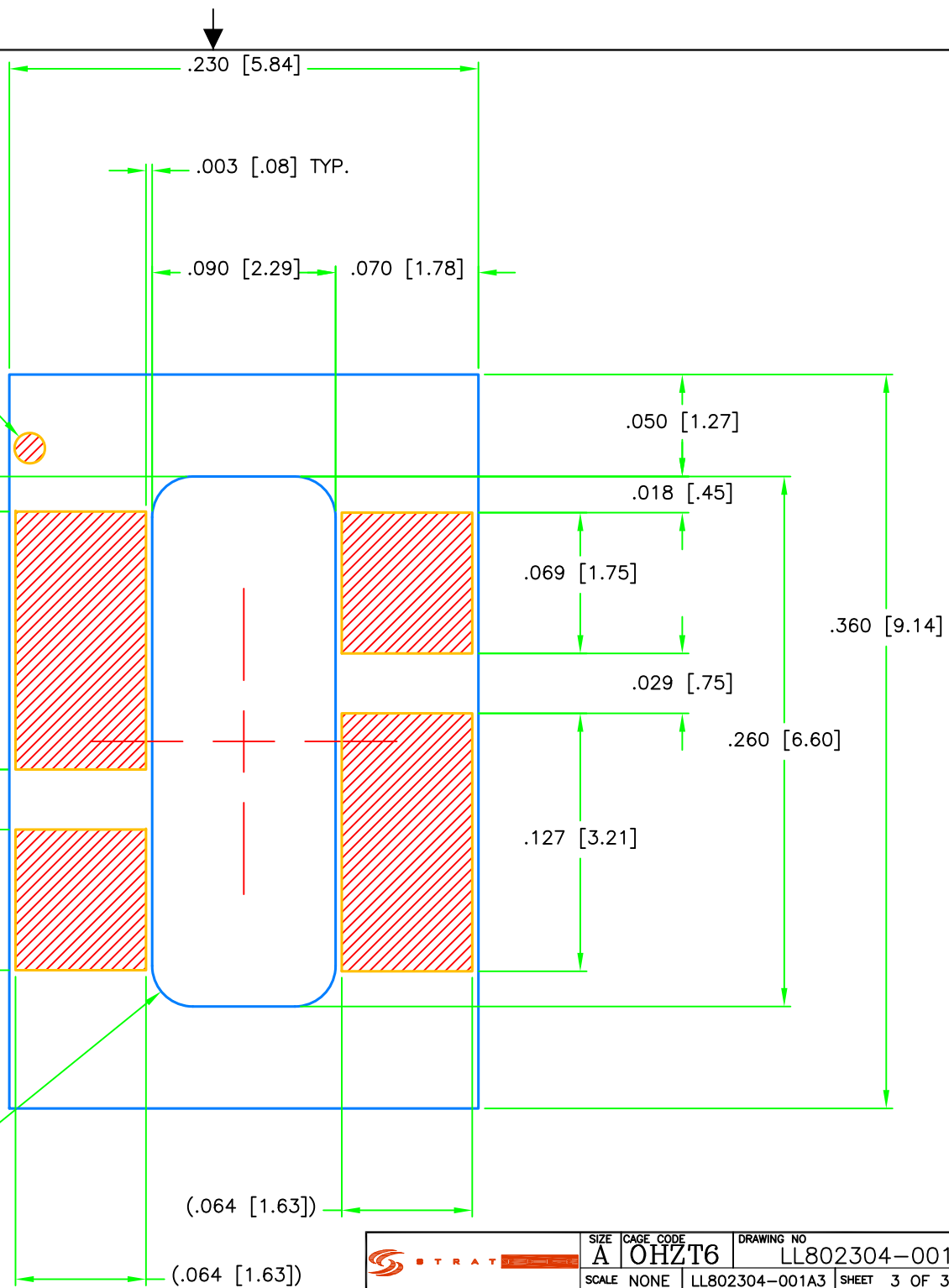


	SIZE	CAGE CODE	DRAWING NO	REV
	A	OHZT6	LL802304-001	A
SCALE	NONE	LL802304-001A2	SHEET	2 OF 3

PROPRIETARY
 THE INFORMATION CONTAINED IN OR DISCLOSED BY THIS DOCUMENT IS CONSIDERED PROPRIETARY BY STRATEDGE CORPORATION. THE ITEMS AND INFORMATION CONTAINED OR DISCLOSED HEREIN SHALL NOT BE USED, COPIED OR REPRODUCED IN WHOLE OR IN PART, NOR SHALL THE CONTENTS BE REVEALED IN ANY MANNER TO ANY PERSON UNLESS WRITTEN PERMISSION IS FIRST OBTAINED FROM STRATEDGE CORPORATION.

(ϕ .015 [ϕ .38])
 PIN 1 ID

4X R.020 [R.51]



	SIZE	CAGE CODE	DRAWING NO	REV
	A	OHZT6	LL802304-001	A
SCALE	NONE	LL802304-001A3	SHEET	3 OF 3