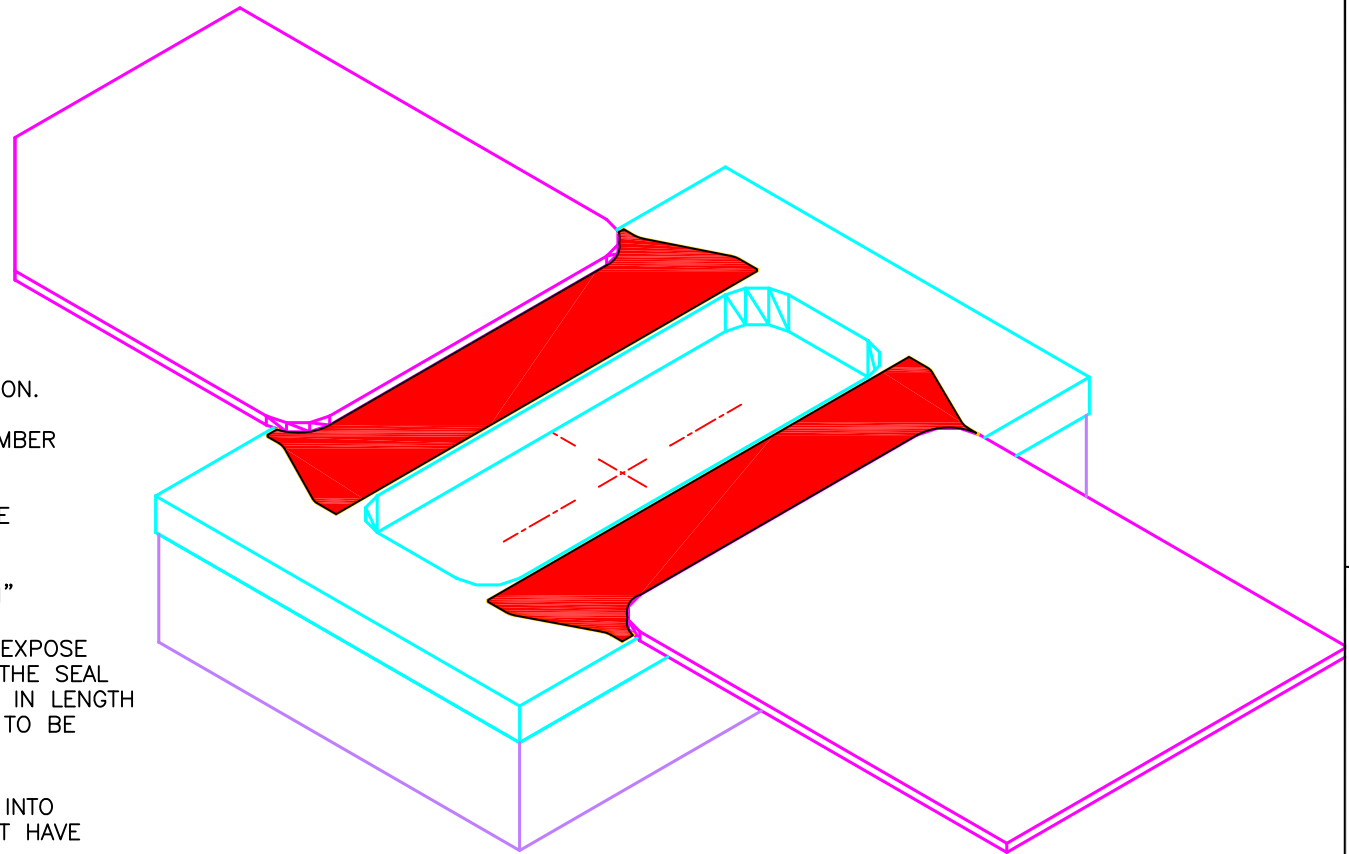



PROPRIETARY  
 THE INFORMATION CONTAINED IN OR DISCLOSED BY THIS DOCUMENT IS CONSIDERED PROPRIETARY BY STRATEDGE CORPORATION. THE ITEMS AND INFORMATION CONTAINED OR DISCLOSED HEREIN SHALL NOT BE USED, COPIED OR REPRODUCED IN WHOLE OR IN PART, NOR SHALL THE CONTENTS BE REVEALED IN ANY MANNER TO ANY PERSON UNLESS WRITTEN PERMISSION IS FIRST OBTAINED FROM STRATEDGE CORPORATION.

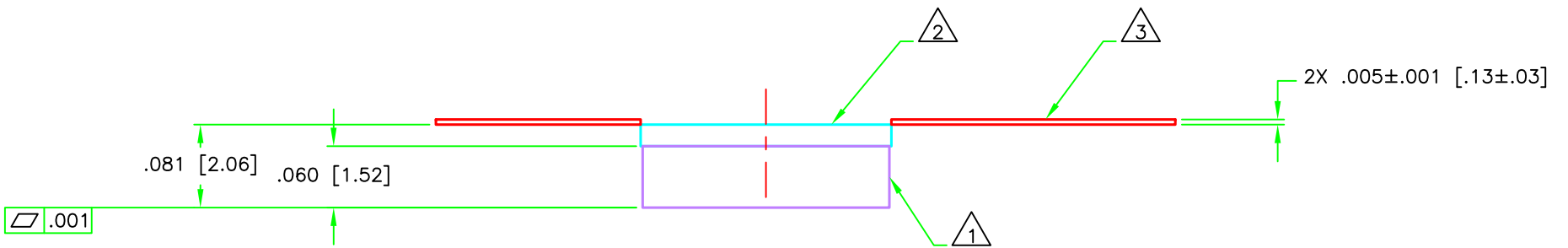
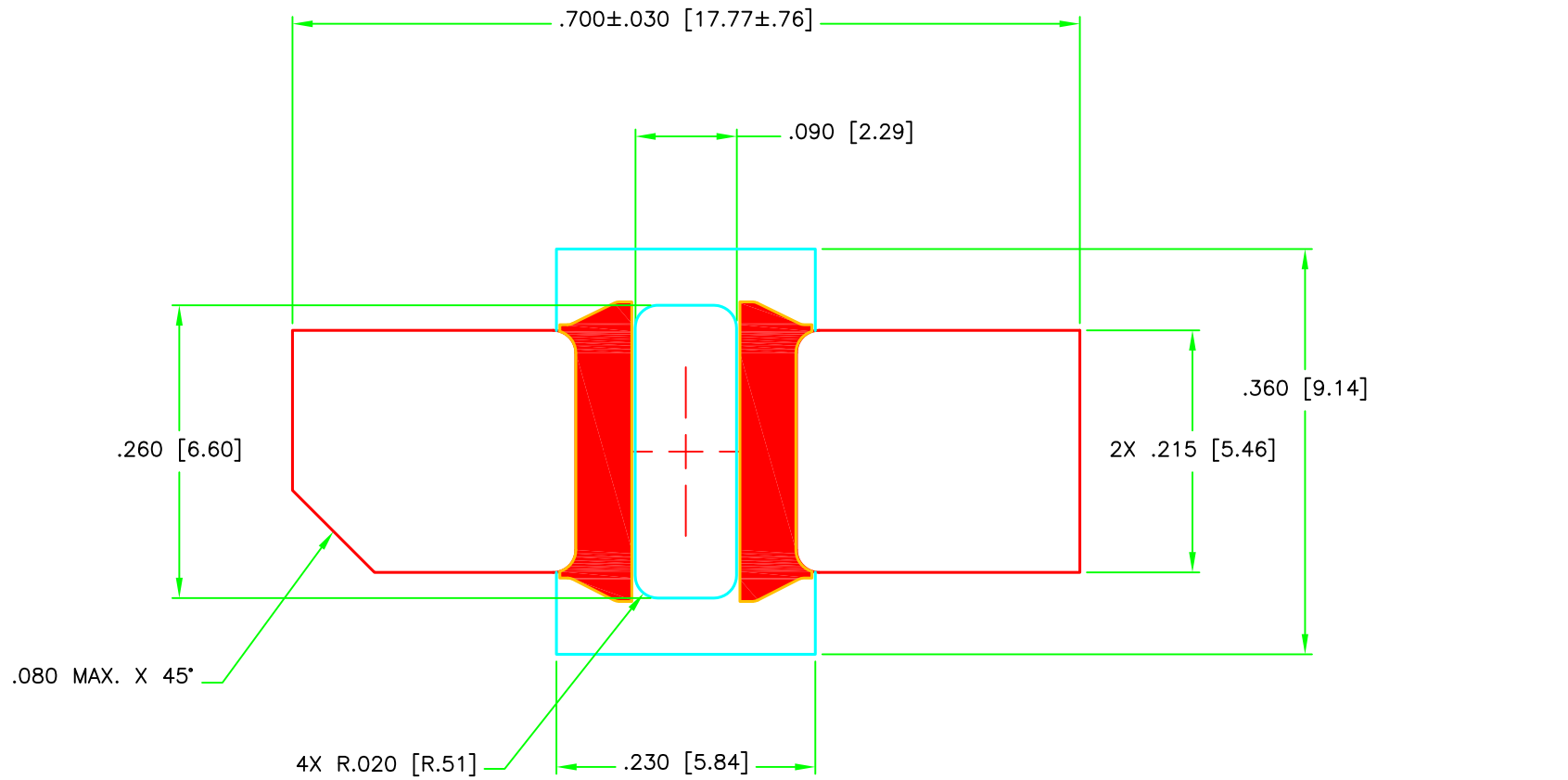
NOTES, UNLESS OTHERWISE SPECIFIED:

1. BASE MATERIAL IS CMC1:3:1.
2. CERAMIC MATERIAL: 96% Al<sub>2</sub>O<sub>3</sub>.
3. LEAD MATERIAL: ALLOY 42.
4. GOLD PLATING THICKNESS SHALL BE 50 MICROINCHES MINIMUM, MEASURED ON MAJOR FLATS.
5. NICKEL UNDERPLATE SHALL BE 100 MIN. MICROINCHES, MEASURED ON MAJOR FLATS.
6. PLATING MUST WITHSTAND 400°C IN AIR FOR 1 MINUTE WITHOUT BLISTERING, FLAKING, OR DISCOLORATION.
7. LID: REFERENCE STRATEDGE PART NUMBER RP1935-050-001.
8. LEADPULL STRENGTH AT 90° SHALL BE 2 LBS. MIN.
9. BURRS LESS THAN  $\varnothing$  .005" AND .001" IN HEIGHT, VOIDS LARGER THAN .003" X .002", OR SCRATCHES THAT EXPOSE BASE METAL GREATER THAN 25% OF THE SEAL RING WIDTH OR THE SAME DIMENSION IN LENGTH ON THE SEAL RING ALL OTHER AREA TO BE LESS THAN  $\varnothing$  .005".
10. SOLDER/BRAZE FLOW OF .012" MAX. INTO THE CAVITY IS ALLOWED BUT CAN NOT HAVE MEASURABLE HEIGHT.
11. SURFACE TEXTURE:  $\sqrt{32}$ /OR BETTER.



UNLESS OTHERWISE SPECIFIED ● DIMENSIONS ARE IN INCHES [MM] ● TOLERANCES:  ANGLES +/- 1 DEG 4 PL DECIMALS ±.0005 [.013] 3 PL DECIMALS ±.005 [.13] 2 PL DECIMALS ±.01 [.25]	DRAFTER DONALD PEHLE	DATE 06/27/14	 6335 Ferris Square, Suite C San Diego, CA 92121		
	PROJECT ENGINEER TIM GOING	DATE 06/27/14			
	CHECKER JERRY CARTER	DATE 06/27/14	2 LEAD RF TRANSISTOR PACKAGE, OUTLINE/CATALOG DRAWING		
	MARKETING CAROL STANLEY	DATE 06/27/14			
QA DONALD PEHLE	DATE 06/27/14	SIZE A	CAGE CODE OHZT6	DRAWING NO LL3623-02-2	REV -
		SCALE NONE	LL3623-02-2_1		SHEET 1 OF 2

PROPRIETARY  
 THE INFORMATION CONTAINED IN OR DISCLOSED BY THIS DOCUMENT IS CONSIDERED PROPRIETARY BY STRATEDGE CORPORATION. THE ITEMS AND INFORMATION CONTAINED OR DISCLOSED HEREIN SHALL NOT BE USED, COPIED OR REPRODUCED IN WHOLE OR IN PART, NOR SHALL THE CONTENTS BE REVEALED IN ANY MANNER TO ANY PERSON UNLESS WRITTEN PERMISSION IS FIRST OBTAINED FROM STRATEDGE CORPORATION.



	SIZE	CAGE CODE	DRAWING NO	REV
	A	OHZT6	LL3623-02-2	-
SCALE	NONE	LL3623-02-2_2	SHEET	2 OF 2