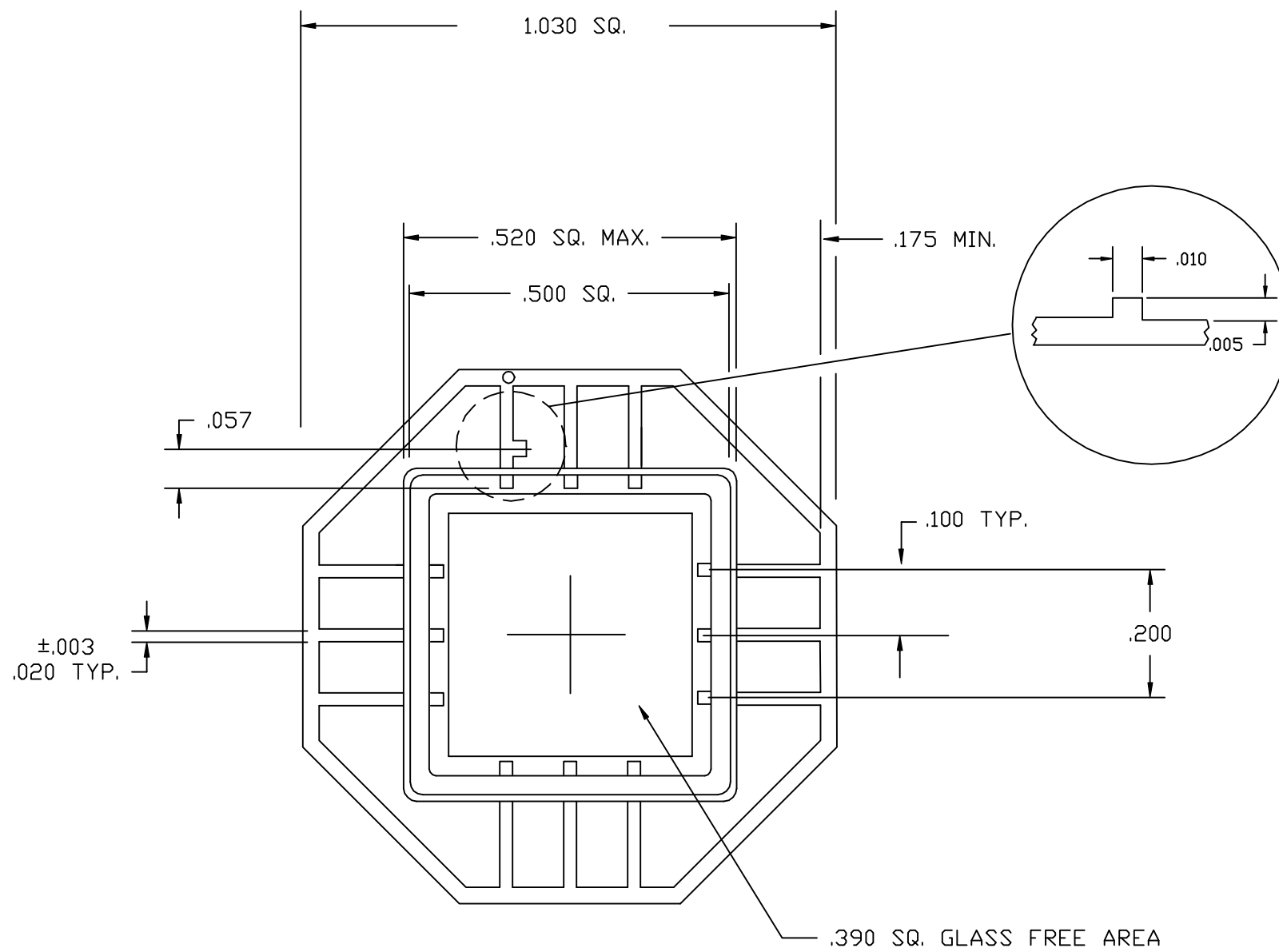
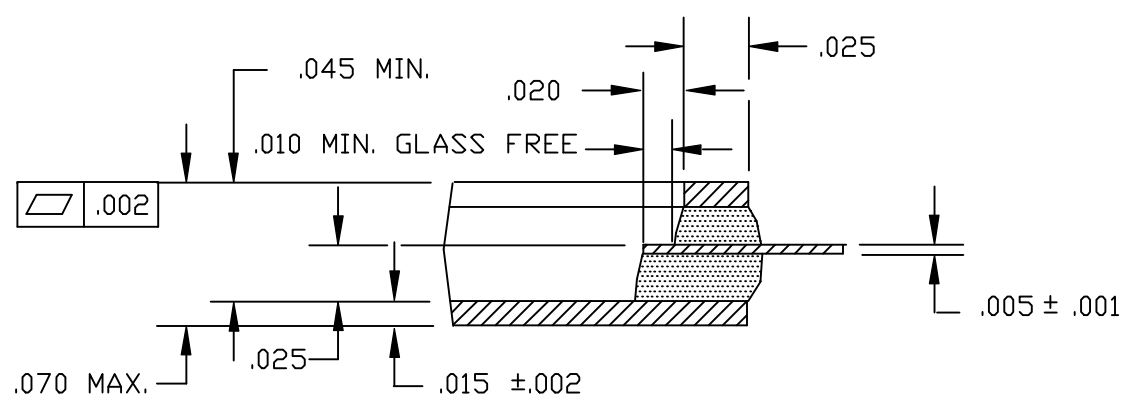



ECN	REV.	DESCRIPTION	DATE:	APP'D:
126	-	INITIAL RELEASE	5-4-98	



NOTES:
 1.) MATERIAL: SEAL RING - F-15 ALLOY
 BASE - F-15 ALLOY
 LEADS - F-15 ALLOY
 GLASS - 7052 WITH 25% AL/LOAD





STRATEGE
PTI Division

TITLE: GLASS FLATPACK .500 SQ. WITH 12 LEADS AND A METAL BASE			
MATERIAL: SEE NOTES	SCALE: NONE	DRAWN BY: DCT	
WHERE USED:	DATE: 5-4-98	APP'D: DCT	
GEN. TOL: ±.005	DWG. NO: G5050M-1	REV: -	