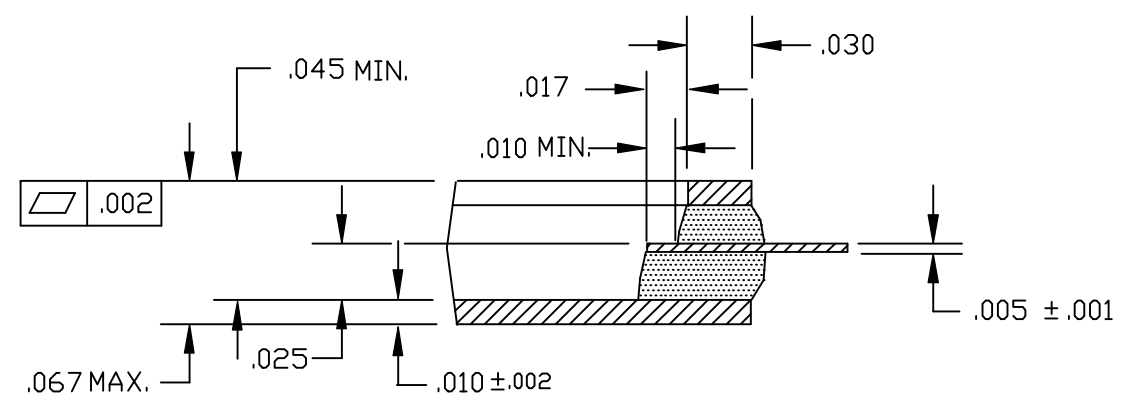


ECN	REV.	DESCRIPTION	DATE:	APP'D:
	-	PRELIMINARY RELEASE	6-5-95	

NOTES:

- 1.) MATERIAL: SEAL RING - F-15 ALLOY
- BASE - F-15 ALLOY
- LEADS - F-15 ALLOY
- GLASS - 7052 WITH 25% AL/LOAD



STRATEGE
PTI Division

TITLE: 36 LEAD GLASS FLATPACK .375 SQ. WITH METAL BASE		
MATERIAL: SEE NOTES	SCALE: NONE	DRAWN BY: DCT
WHERE USED:	DATE: 6-5-95	APP'D: DCT
GEN. TOL: XX ± .010 XXX ± .005 FRAC. ± 1/64 ANGLES ± 1/2	DWG. NO: G3838M-4	REV. -