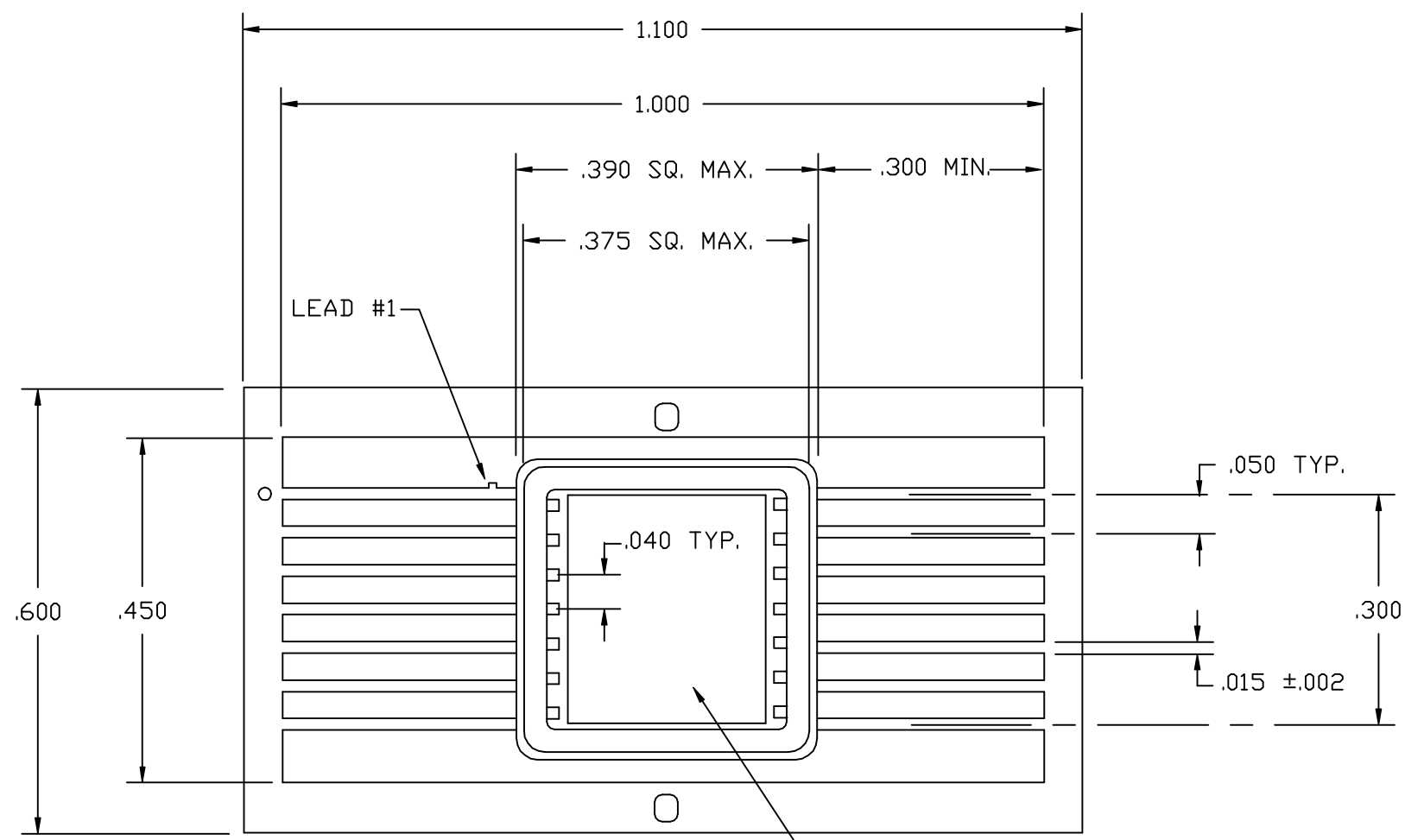


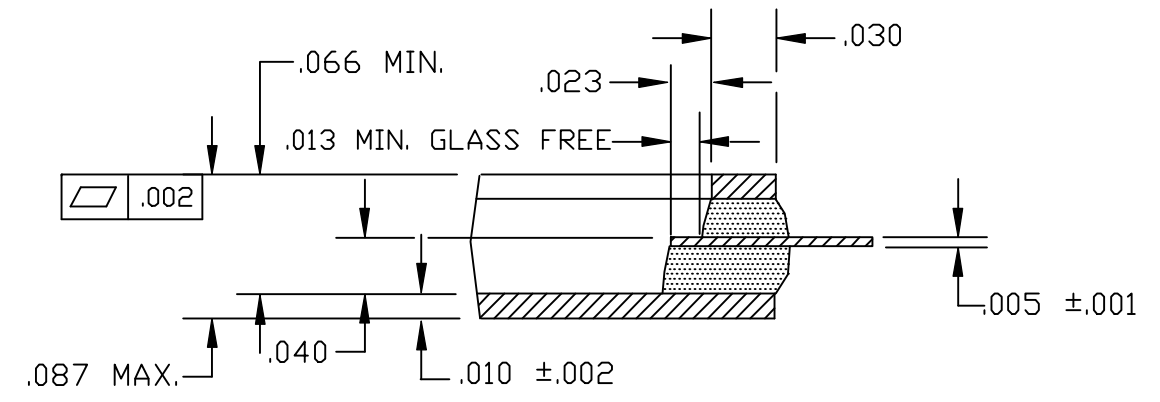
ECN	REV.	DESCRIPTION	DATE:	APP'D:
018	-	INITIAL RELEASE	1-9-95	
151	1	REDESIGNED	1-18-99	




NOTES:

- 1.) MATERIAL: SEAL RING - F-15 ALLOY
- BASE - F-15 ALLOY
- LEADS - F-15 ALLOY
- GLASS - 7052 WITH 25% AL/LOAD

.254 X .300 MIN. GLASS FREE AREA





STRATEDGE
PTI Division

TITLE: 14 LEAD GLASS FLATPACK
.375 SQ.

MATERIAL: SEE NOTES	SCALE: NONE	DRAWN BY: DCT
WHERE USED:	DATE: 1-9-95	APP'D: DCT
GEN. TOL: ±.005	DWG. NO: G3838M-1	REV. 1