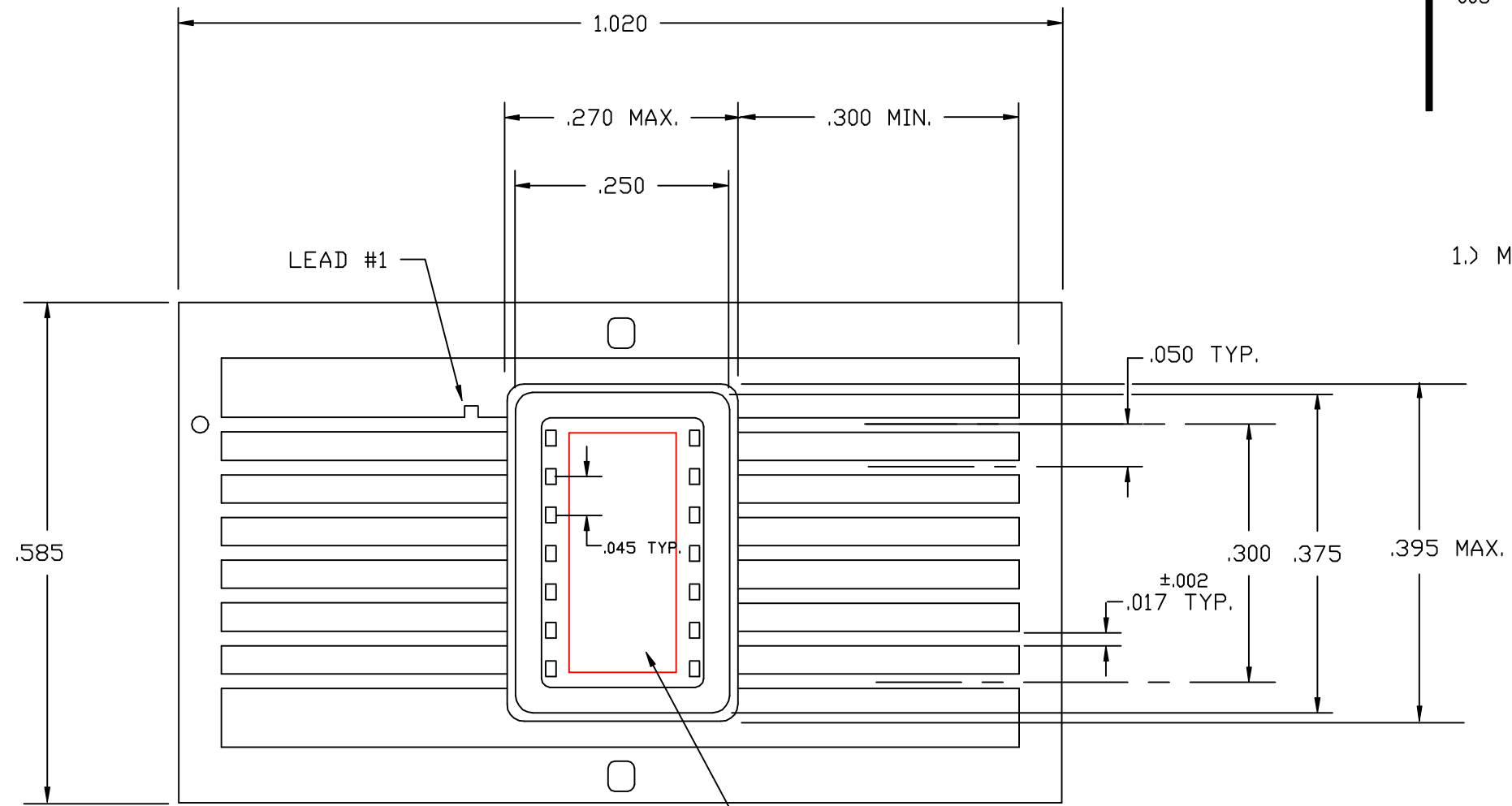


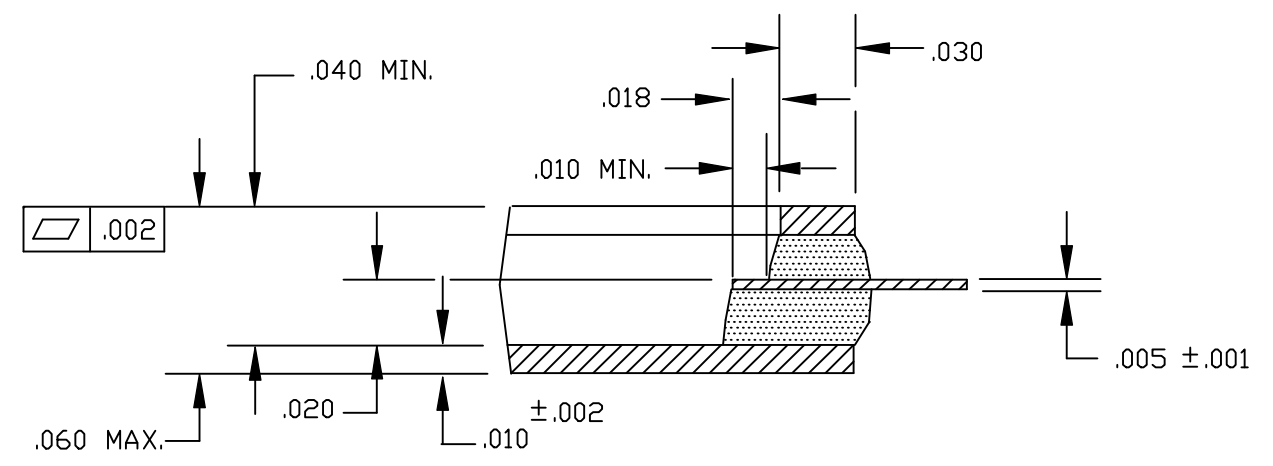
ECN	REV.	DESCRIPTION	DATE:	APP'D:
003	-	INITIAL RELEASE	11-9-94	




NOTES:

- 1.) MATERIAL: SEAL RING - F-15 ALLOY
- BASE - F-15 ALLOY
- LEADS - F-15 ALLOY
- GLASS - 7052 WITH 25% AL/LOAD

.135 X .290 MIN. GLASS FREE AREA





S T R A T E D G E
PTI Division

TITLE: GLASS FLATPACK
.375 X .250

MATERIAL: SEE NOTES	SCALE: NONE	DRAWN BY: DCT
WHERE USED:	DATE: 11-9-94	APP'D: DCT
GEN. TOL: XX ± .010 XXX ± .005 FRAC. ± 1/64 ANGLES ± 1/2	DWG. NO: G3725M-1	REV. -