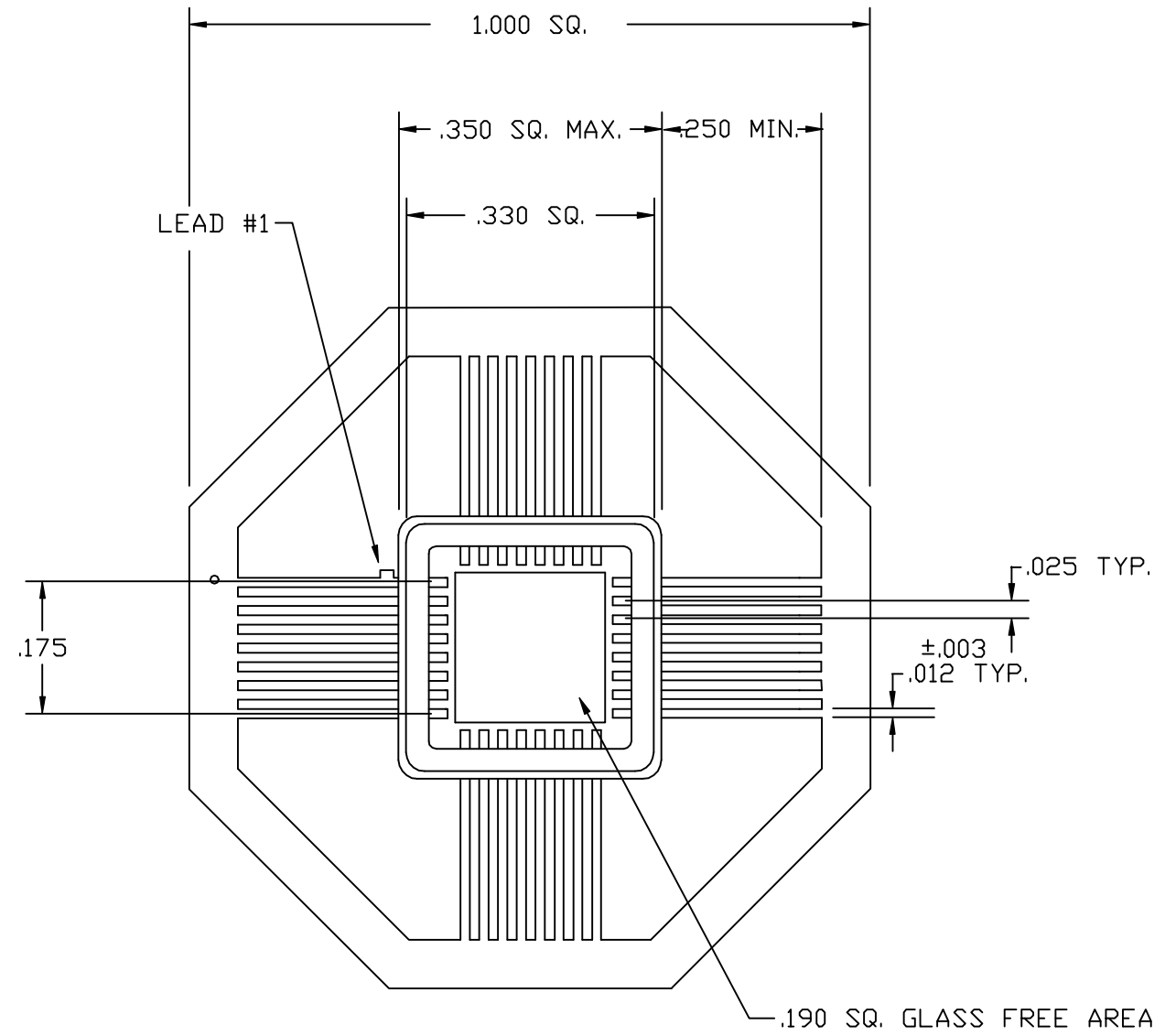
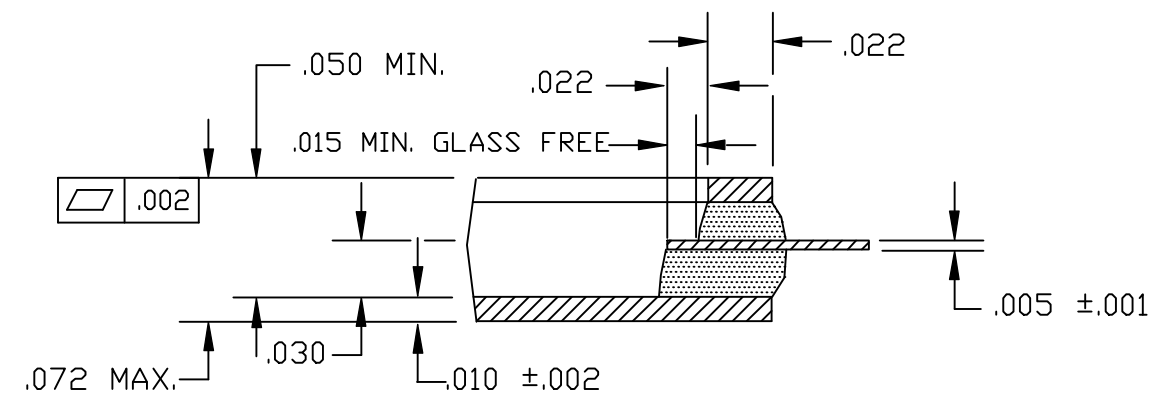



ECN	REV.	DESCRIPTION	DATE:	APP'D:
203	-	INITIAL RELEASE	1-17-01	



NOTES:

- 1.) MATERIAL: SEAL RING - F-15 ALLOY
- BASE - F-15 ALLOY
- LEADS - F-15 ALLOY
- GLASS - 7052 WITH 25% AL/LOAD





STRATEGE
PTI Division

TITLE: GLASS FLATPACK .330 SQ. WITH SILVAR INSERT WITH 32 LEADS AND A METAL BASE

MATERIAL: SEE NOTES	SCALE: NONE	DRAWN BY: ASD
WHERE USED:	DATE: 1-17-01	APP'D: DCT
GEN. TOL: ±.005	DWG. NO: G3333M-1	REV: -