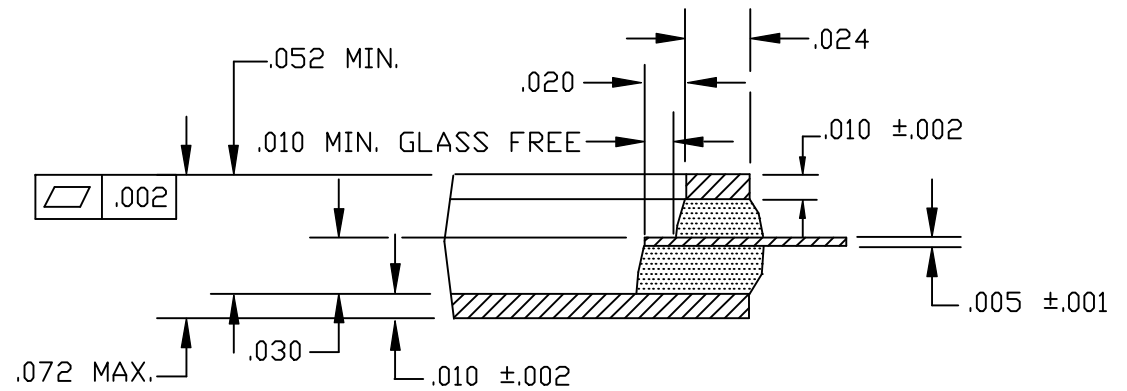
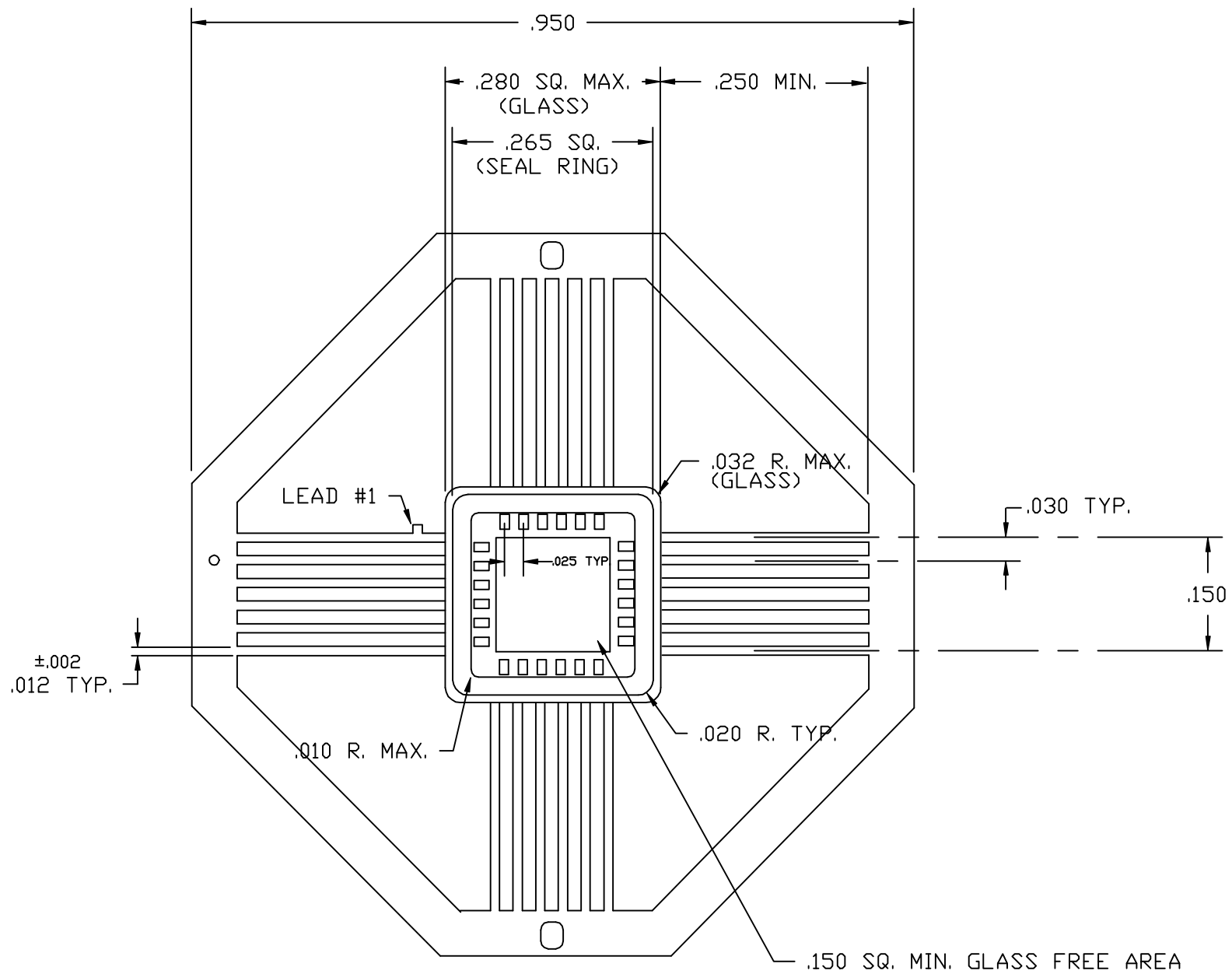



ECN	REV.	DESCRIPTION	DATE:	APP'D:
034	-	INITIAL RELEASE	7-1-94	
123	1	ADDED DIMENSIONS	1-15-98	

NOTES:

- 1.) MATERIAL: SEAL RING - F-15 ALLOY  
 BASE - F-15 ALLOY  
 LEADS - F-15 ALLOY  
 GLASS - 7052 WITH 25% AL/LOAD
- 2.) PLATING SHALL BE UNIFORM IN APPEARANCE AND QUALITY AND SHALL BE FREE OF PLATING VOIDS, NICKS, SCRATCHES, STAINS, AND FOREIGN MATERIAL LARGER THAN .001 INCH.
- 3.) FEATURES SUCH AS BASE PLATE, SEALRING, LEADS, CAVITY, ETC. SHALL BE CENTERED WITH RESPECT TO THE PACKAGE CENTERLINES WITHIN ±.002 INCH.
- 4.) THERE SHALL BE NO BURRS PERMITTED > .001 INCH.
- 5.) GLASS UNDERFLOW, AT THE GLASS TO METAL INTERFACE SHALL NOT EXCEED 25% OF THE SEALRING WIDTH.





**STRATEGE**  
PTI Division

TITLE: 24 LEAD GLASS FLATPACK .265 SQ.			
MATERIAL: SEE NOTES	SCALE: NONE	DRAWN BY: DCT	
WHERE USED:	DATE: 7-1-94	APP'D: DCT	
GEN. TOL: DECIMAL: ±.005 FRAC. ± 1/64	DWG. NO: G2626M-1	REV. 1	