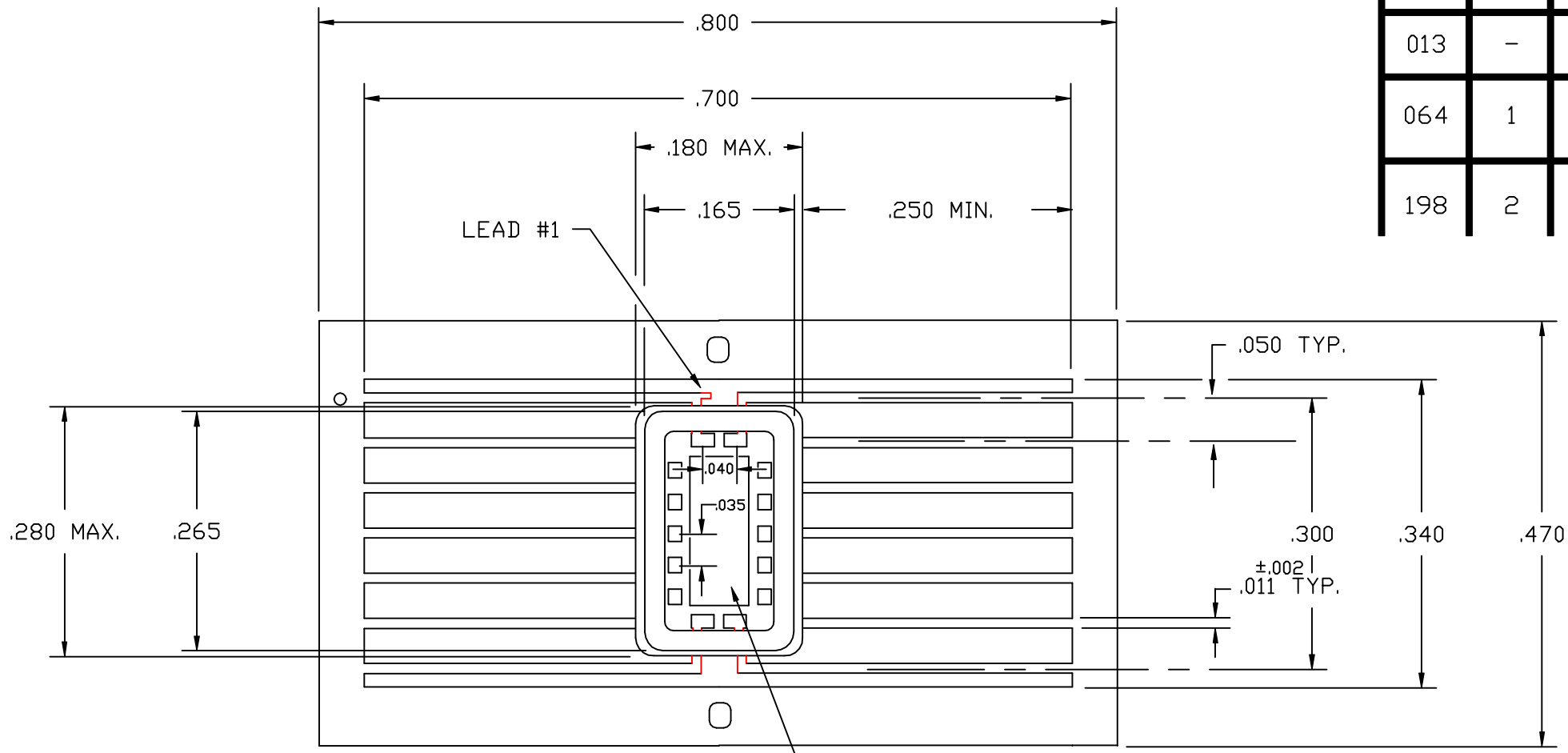


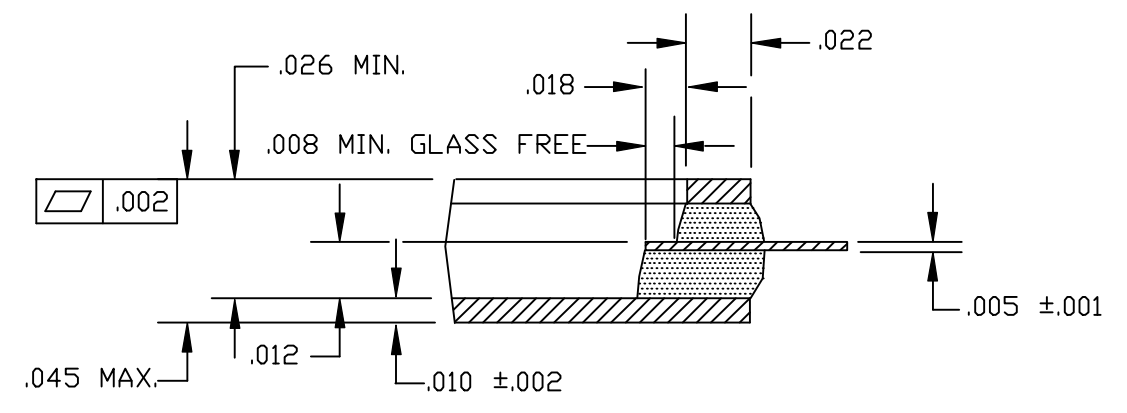
ECN	REV.	DESCRIPTION	DATE	APP'D:
013	-	INITIAL RELEASE	12-21-94	
064	1	ADDED NOTE #2	5-20-96	
198	2	.800 was .900	4-17-00	




.065 X .165 GLASS FREE AREA

NOTES:

- 1.) MATERIAL: SEAL RING - F-15 ALLOY
- BASE - F-15 ALLOY
- LEADS - F-15 ALLOY
- GLASS - 7052 WITH 25% AL/LOAD





STRATEDGE
PTI Division

TITLE: .265 X .165 14 LEAD GLASS FLATPACK WITH METAL BASE

MATERIAL: SEE NOTES	SCALE: NONE	DRAWN BY: DCT
WHERE USED:	DATE: 12-21-94	APP'D: DCT
GEN. TOL: ±.005	DWG. NO: G2616M-1	REV. 2