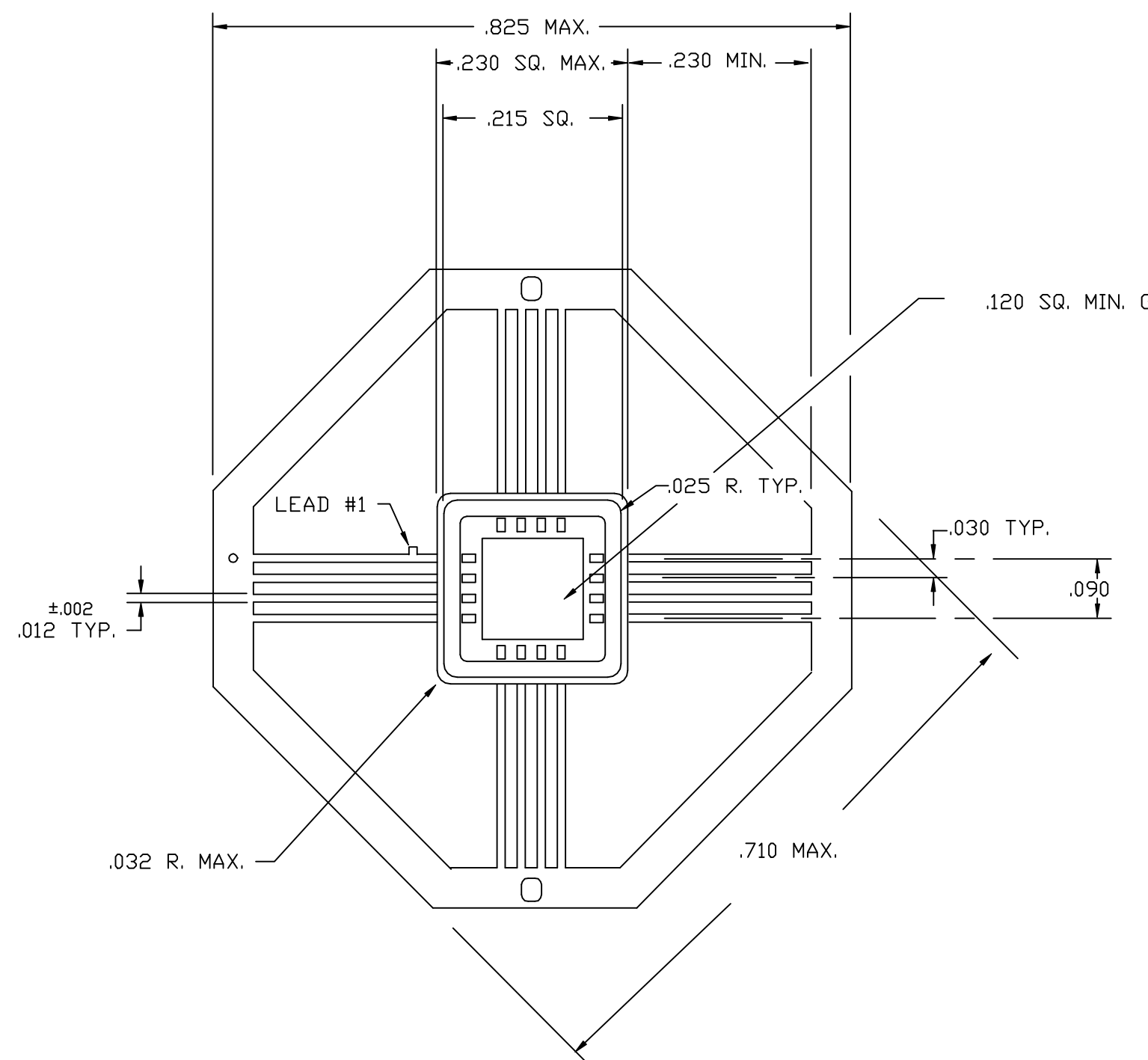
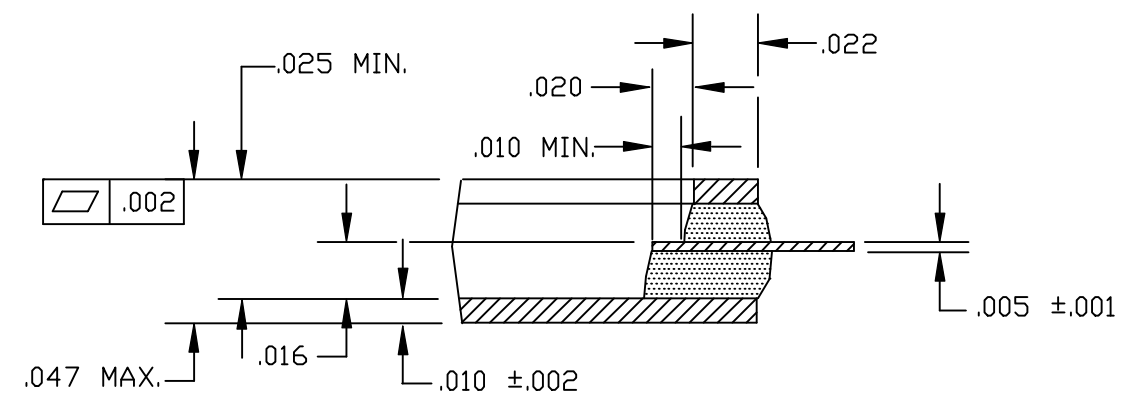



ECN	REV.	DESCRIPTION	DATE:	APP'D:
072	3	INITIAL RELEASE	1-3-94	



NOTES:
 1.) MATERIAL: SEAL RING - F-15 ALLOY
 BASE - F-15 ALLOY
 LEADS - F-15 ALLOY
 GLASS - 7052 WITH 25% AL/LOAD





STRATEGE
PTI Division

TITLE: 16 LEAD GLASS FLATPACK .215 SQ.			
MATERIAL: SEE NOTES	SCALE: NONE	DRAWN BY: DCT	
WHERE USED:	DATE: 11-3-94	APP'D: DCT	
GEN. TOL: DECIMAL: ±.005 FRAC. ± 1/64	DWG. NO: G2121M-1	REV. 3	