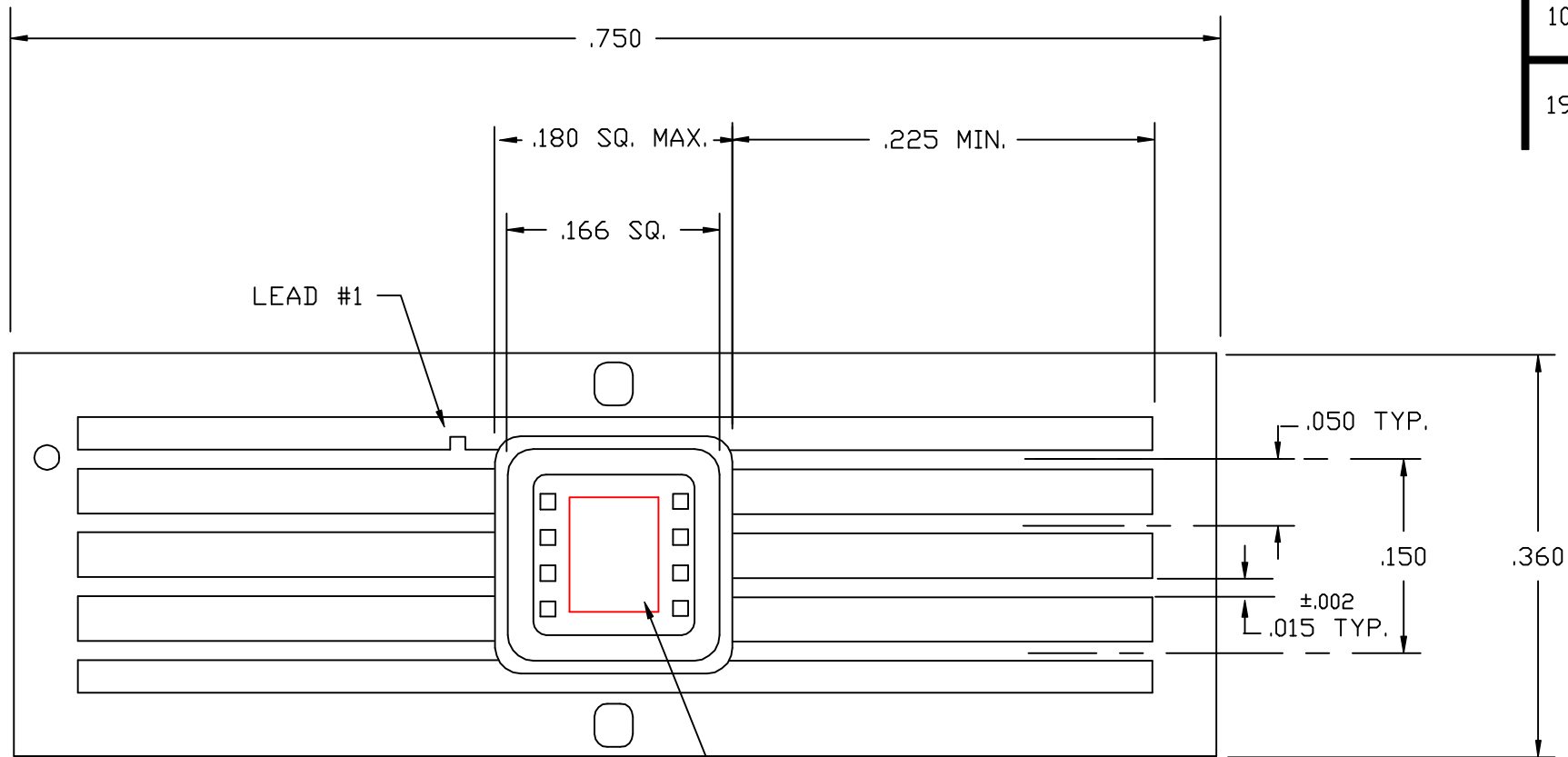


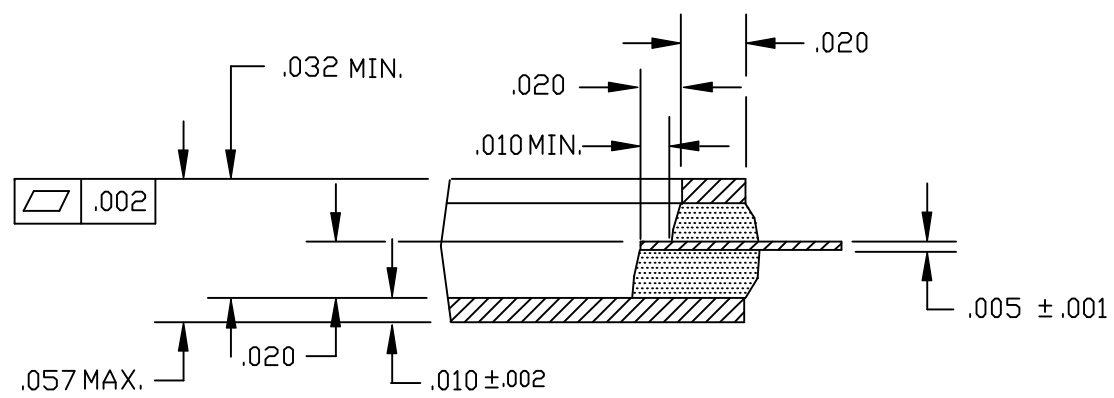
ECN	REV.	DESCRIPTION	DATE	APP'D:
108	2	ADDED NOTE#2	2-9-97	
196	3	.750 was .850	4-5-00	




NOTES:

- MATERIAL: SEAL RING - F-15 ALLOY  
 BASE - F-15 ALLOY  
 LEADS - F-15 ALLOY  
 GLASS - 7052 WITH 25% AL/LOAD

.070 X .090 MIN. GLASS FREE AREA





**S T R A T E D G E**  
PTI Division

TITLE: 8 LEAD GLASS FLATPACK  
.166 SQ.

MATERIAL: SEE NOTES	SCALE: NONE	DRAWN BY: RJD
WHERE USED:	DATE: 7-1-94	APP'D: RJD
GEN. TOL: XX ± .010 XXX ± .005 FRAC. ± 1/64 ANGLES ± 1/2	DWG. NO.: G1616M-1	REV. 3