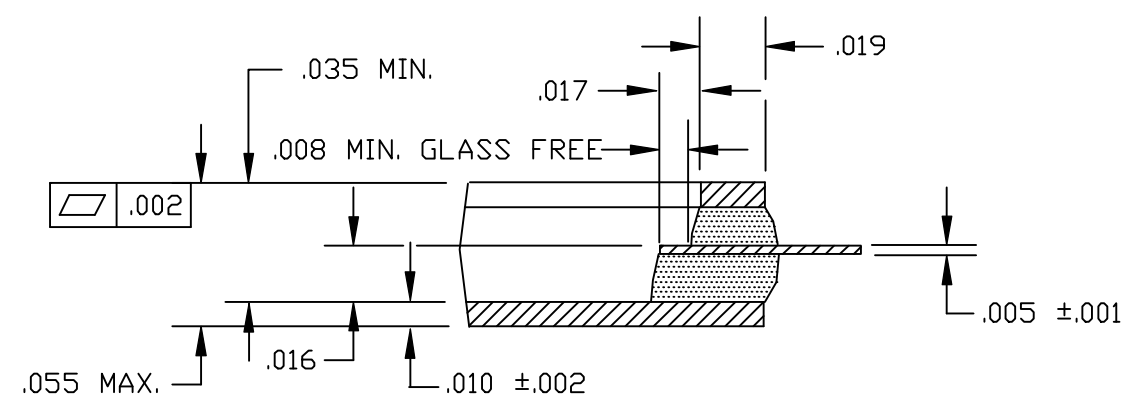



ECN	REV.	DESCRIPTION	DATE	APP'D:
	-	INITIAL RELEASE	2-20-95	

NOTES:
 1.) MATERIAL: SEAL RING - F-15 ALLOY
 BASE - F-15 ALLOY
 LEADS - F-15 ALLOY
 GLASS - 7052 WITH 25% AL/LOAD





STRAT EDGE
PTI Division

TITLE: GLASS FLATPACK
.125 SQ. WITH 6 LEADS

MATERIAL: SEE NOTES	SCALE: NONE	DRAWN BY: DCT
WHERE USED:	DATE: 2-20-95	APP'D: DCT
GEN. TOL: ±.005	DWG. NO: G1212M-2	REV: -