
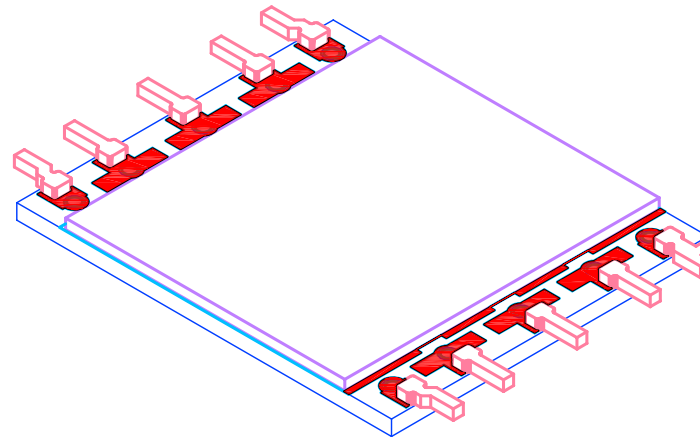
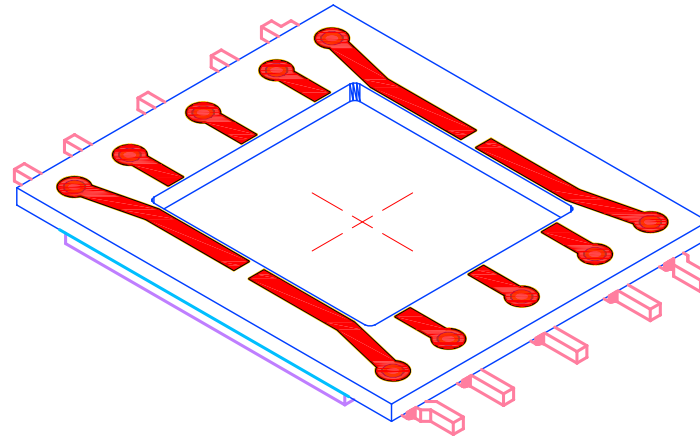



PROPRIETARY  
 THE INFORMATION CONTAINED IN OR DISCLOSED BY THIS DOCUMENT IS CONSIDERED PROPRIETARY BY STRATEDGE CORPORATION. THE ITEMS AND INFORMATION CONTAINED OR DISCLOSED HEREIN SHALL NOT BE USED, COPIED OR REPRODUCED IN WHOLE OR IN PART, NOR SHALL THE CONTENTS BE REVEALED IN ANY MANNER TO ANY PERSON UNLESS WRITTEN PERMISSION IS FIRST OBTAINED FROM STRATEDGE CORPORATION.

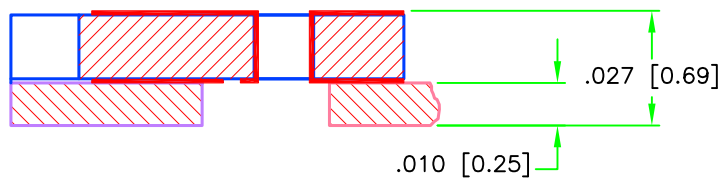
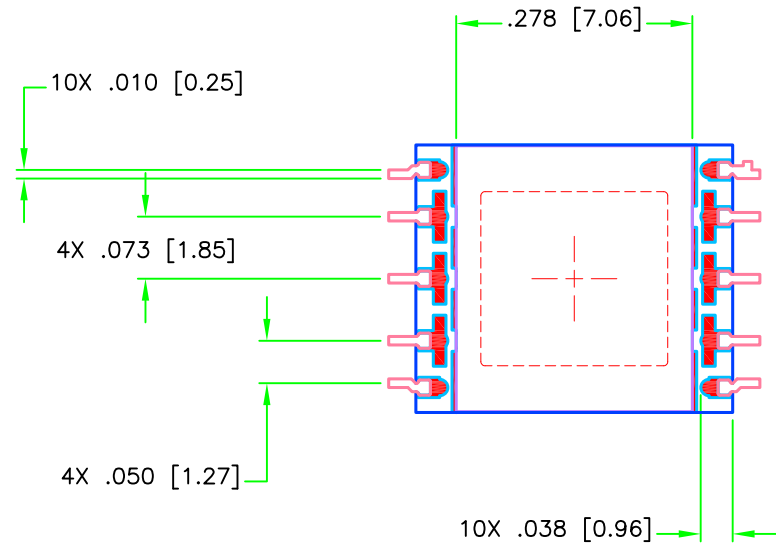
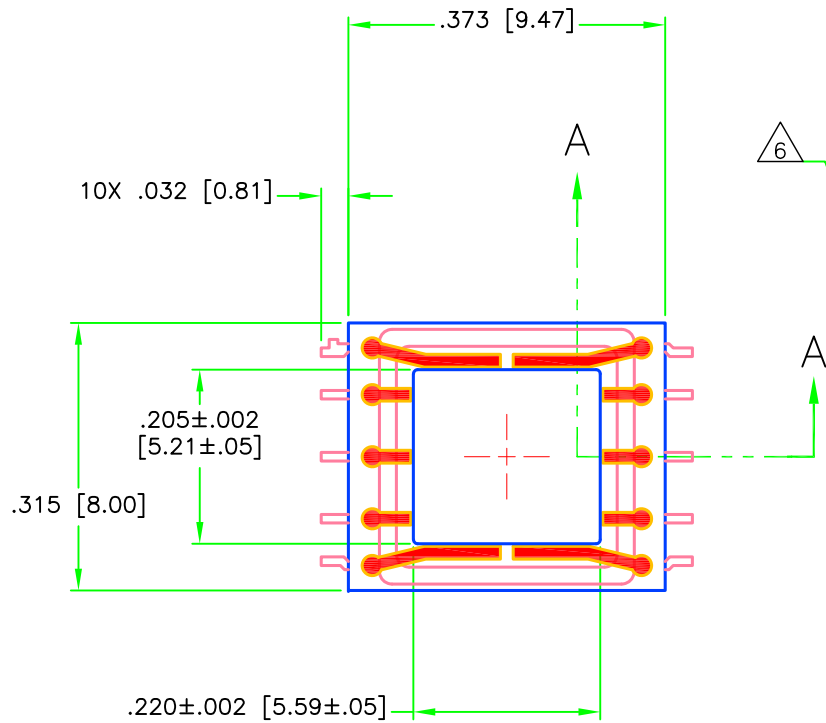
NOTES, UNLESS OTHERWISE SPECIFIED:

1. MATERIAL: BASE SHALL BE MATCHED EXPANSION, HIGH THERMAL CONDUCTIVITY METAL. CERAMIC SHALL BE 96%  $Al_2O_3$ . LEAD FRAME SHALL BE KOVAR.
2. LEAD, BASE, AND CERAMIC GOLD PLATING THICKNESS SHALL BE 50 MICRONS MINIMUM, MEASURED ON MAJOR FLATS.
3. LEAD, BASE, AND CERAMIC NICKEL UNDERPLATE SHALL BE 100 TO 350 MICRONS, MEASURED ON MAJOR FLATS.
4. LID: REFERENCE STRATEDGE PART NUMBER RP3030-075-001.
5. UN-PLATED SURFACES ARE ACCEPTABLE IN THE FOLLOWING AREAS: PLATING CLIP MARKS ON BASE EDGES.
6.  BOTTOM OF BASE AND BOTTOM OF 10 LEADS TO BE COPLANER WITHIN .005.
7. PACKAGE WILL BE SUPPLIED ON A LEAD FRAME. LEAD FRAME WILL BE SUITABLE FOR MINIMUM LEAD LENGTH OF .10" AFTER TRIM.



UNLESS OTHERWISE SPECIFIED ● DIMENSIONS ARE IN INCHES [MM] ● TOLERANCES:  ANGLES +/- 1 DEG 4 PL DECIMALS ±.0005 [.013] 3 PL DECIMALS ±.005 [.13] 2 PL DECIMALS ±.01 [.25]	DRAFTER DONALD PEHLE	DATE 10/20/2020	 9424 Abraham Way Santee, CA 92071
	PROJECT ENGINEER JERRY CARTER	DATE 10/20/2020	
	CHECKER REGIE NOCON	DATE 10/20/2020	10 LEAD SURFACE MOUNT PACKAGE OUTLINE/CATALOG DRAWING
	MARKETING TIM GOING	DATE 10/20/2020	
QA DONALD PEHLE	DATE 10/20/2020	SIZE A CAGE CODE OHZT6 DRAWING NO C580495 REV C	
		SCALE NONE	C580495C1 SHEET 1 OF 2

PROPRIETARY  
 THE INFORMATION CONTAINED IN OR DISCLOSED BY THIS DOCUMENT IS CONSIDERED PROPRIETARY BY STRATEDGE CORPORATION. THE ITEMS AND INFORMATION CONTAINED OR DISCLOSED HEREIN SHALL NOT BE USED, COPIED OR REPRODUCED IN WHOLE OR IN PART, NOR SHALL THE CONTENTS BE REVEALED IN ANY MANNER TO ANY PERSON UNLESS WRITTEN PERMISSION IS FIRST OBTAINED FROM STRATEDGE CORPORATION.



SECTION: A-A

	SIZE	CAGE CODE	DRAWING NO	REV
	B	OHZT6	C580495	C
SCALE	NONE	C580495C2	SHEET	2 OF 2