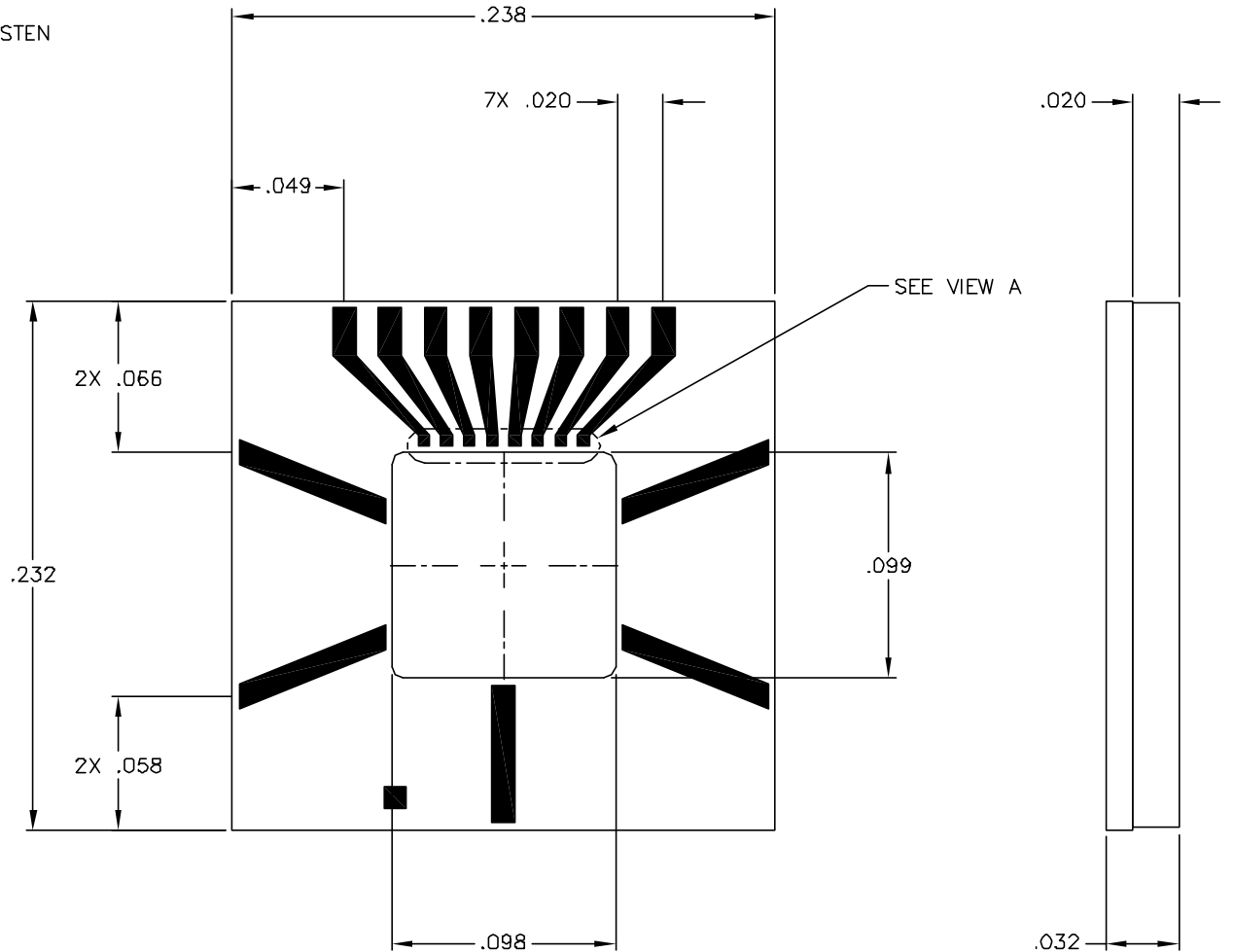


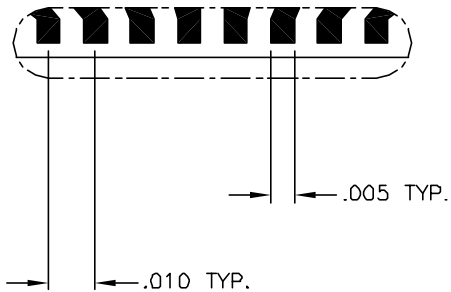
PROPRIETARY
 THE INFORMATION CONTAINED IN OR DISCLOSED BY THIS DOCUMENT IS CONSIDERED PROPRIETARY BY STRATEDGE CORPORATION. THE ITEMS AND INFORMATION CONTAINED OR DISCLOSED HEREIN SHALL NOT BE USED, COPIED OR REPRODUCED IN WHOLE OR IN PART, NOR SHALL THE CONTENTS BE REVEALED IN ANY MANNER TO ANY PERSON UNLESS WRITTEN PERMISSION IS FIRST OBTAINED FROM STRATEDGE CORPORATION.


NOTES, UNLESS OTHERWISE SPECIFIED:

1. MATERIAL: BASE SHALL BE COPPER TUNGSTEN CERAMIC SHALL BE 96% Al_2O_3 .
2. GOLD CONDUCTOR TRACE COVERAGE IS PER DRAWING, 100% WITH NO VOIDS ALLOWED. VOID IS DEFINED AS AN AREA GREATER THAN $.003 \times .002$.
3. BASE IS PLATED WITH A MINIMUM OF 50 MICROINCHES OF GOLD OVER 50-350 MICROINCHES OF NICKEL.
4. PACKAGE WILL WITHSTAND A TEMPERATURE OF $325^{\circ}C \pm 5^{\circ}C$ WITH A MAXIMUM RATE OF CHANGE OF $80^{\circ}C$ PER MINUTE.
5. LID PER STRATEDGE PART# 200117.



VIEW A



| | | | | | |
|--|------------------|---------|--|------------------------------|----------|
| UNLESS OTHERWISE SPECIFIED ● DIMENSIONS ARE IN INCHES [MM] ● TOLERANCES: ANGLES +/- 1 DEG 4 PL DECIMALS ±.0005 [.013] 3 PL DECIMALS ±.005 [.13] 2 PL DECIMALS ±.01 [.25] | DRAFTER | DATE |  4393 Viewridge Avenue San Diego, CA 92123 | | |
| | PROJECT ENGINEER | DATE | | | |
| | CHECKER | DATE | SE-50 PACKAGE, SWITCH OUTLINE/CATALOG DRAWING | | |
| | MARKETING | DATE | | | |
| | QA | DATE | SIZE CAGE CODE A OHZT6 | DRAWING NO C580455 | REV — |
| SCALE NONE | | C580455 | SHEET 1 OF 1 | | |