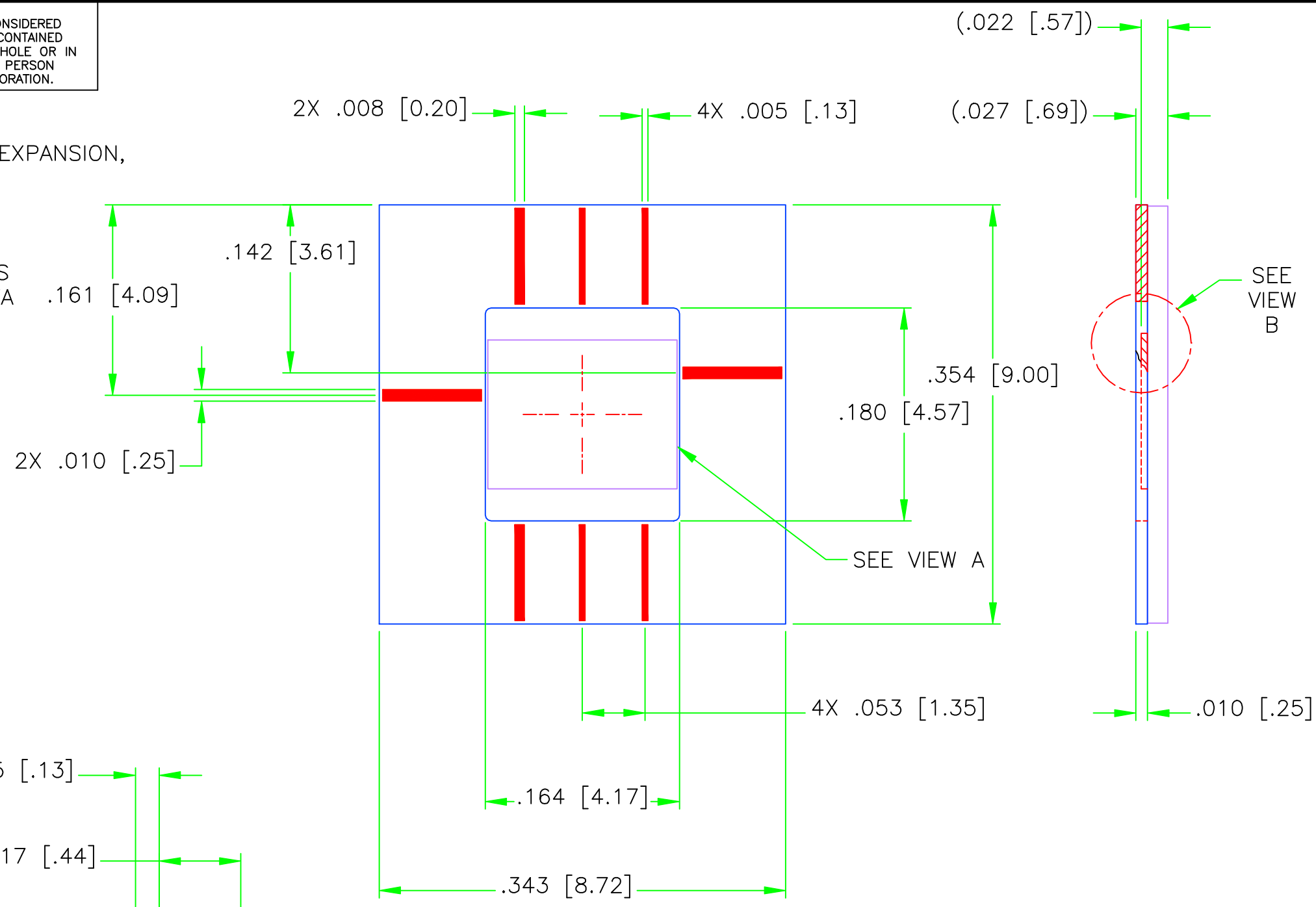


PROPRIETARY
 THE INFORMATION CONTAINED IN OR DISCLOSED BY THIS DOCUMENT IS CONSIDERED PROPRIETARY BY STRATEDGE CORPORATION. THE ITEMS AND INFORMATION CONTAINED OR DISCLOSED HEREIN SHALL NOT BE USED, COPIED OR REPRODUCED IN WHOLE OR IN PART, NOR SHALL THE CONTENTS BE REVEALED IN ANY MANNER TO ANY PERSON UNLESS WRITTEN PERMISSION IS FIRST OBTAINED FROM STRATEDGE CORPORATION.

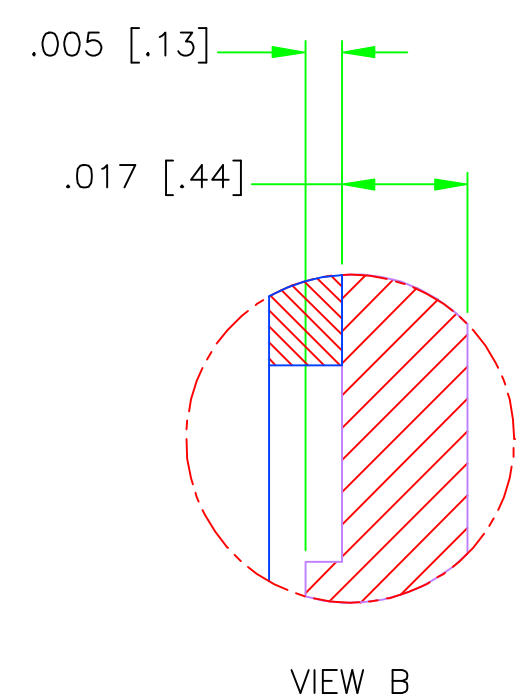
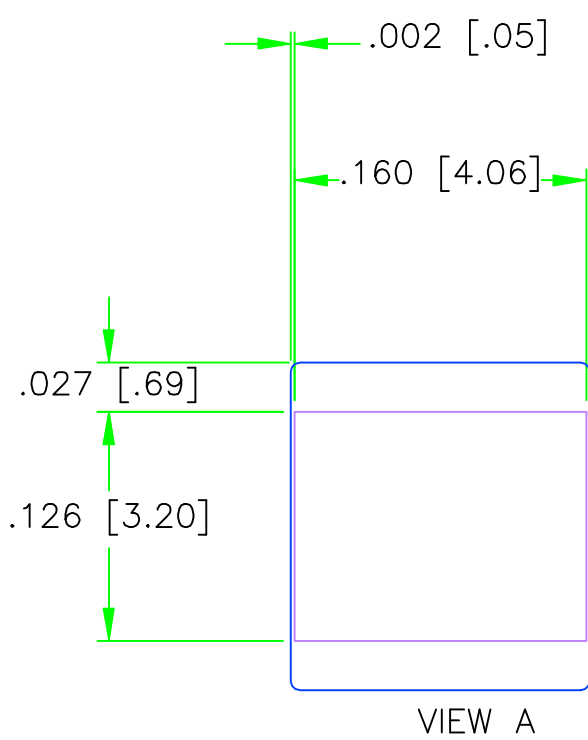
NOTES, UNLESS OTHERWISE SPECIFIED:


1. MATERIAL: BASE SHALL BE MATCHED EXPANSION, HIGH THERMAL CONDUCTIVITY METAL. CERAMIC SHALL BE 96% Al_2O_3 .
2. GOLD CONDUCTOR TRACE COVERAGE IS PER DRAWING, 100% WITH NO VOIDS ALLOWED. VOID IS DEFINED AS AN AREA GREATER THAN $.003 \times .002$.
3. BASE IS PLATED WITH A MINIMUM OF 50 MICRONS OF GOLD OVER 50-350 MICRONS OF NICKEL.
4. PACKAGE WILL WITHSTAND A TEMPERATURE OF $325^{\circ}C \pm 5^{\circ}C$ WITH A MAXIMUM RATE OF CHANGE OF $80^{\circ}C$ PER MINUTE.
5. LID PER STRATEDGE PART# 200090,



SEE VIEW B

SEE VIEW A



UNLESS OTHERWISE SPECIFIED ● DIMENSIONS ARE IN INCHES [MM] ● TOLERANCES: ANGLES +/- 1 DEG 4 PL DECIMALS ±.0005 [.013] 3 PL DECIMALS ±.005 [.13] 2 PL DECIMALS ±.01 [.25]	DRAFTER	DATE	 4393 Viewridge Avenue San Diego, CA 92123	
	PROJECT ENGINEER	DATE		
	CHECKER	DATE		
	MARKETING	DATE		
DRV-VER3, MOD SE-50 OUTLINE/CATALOG DRAWING				
	SIZE B	CAGE CODE OHZT6	DRAWING NO C580427	REV -
	SCALE NONE	C580427	SHEET 1 OF 1	