

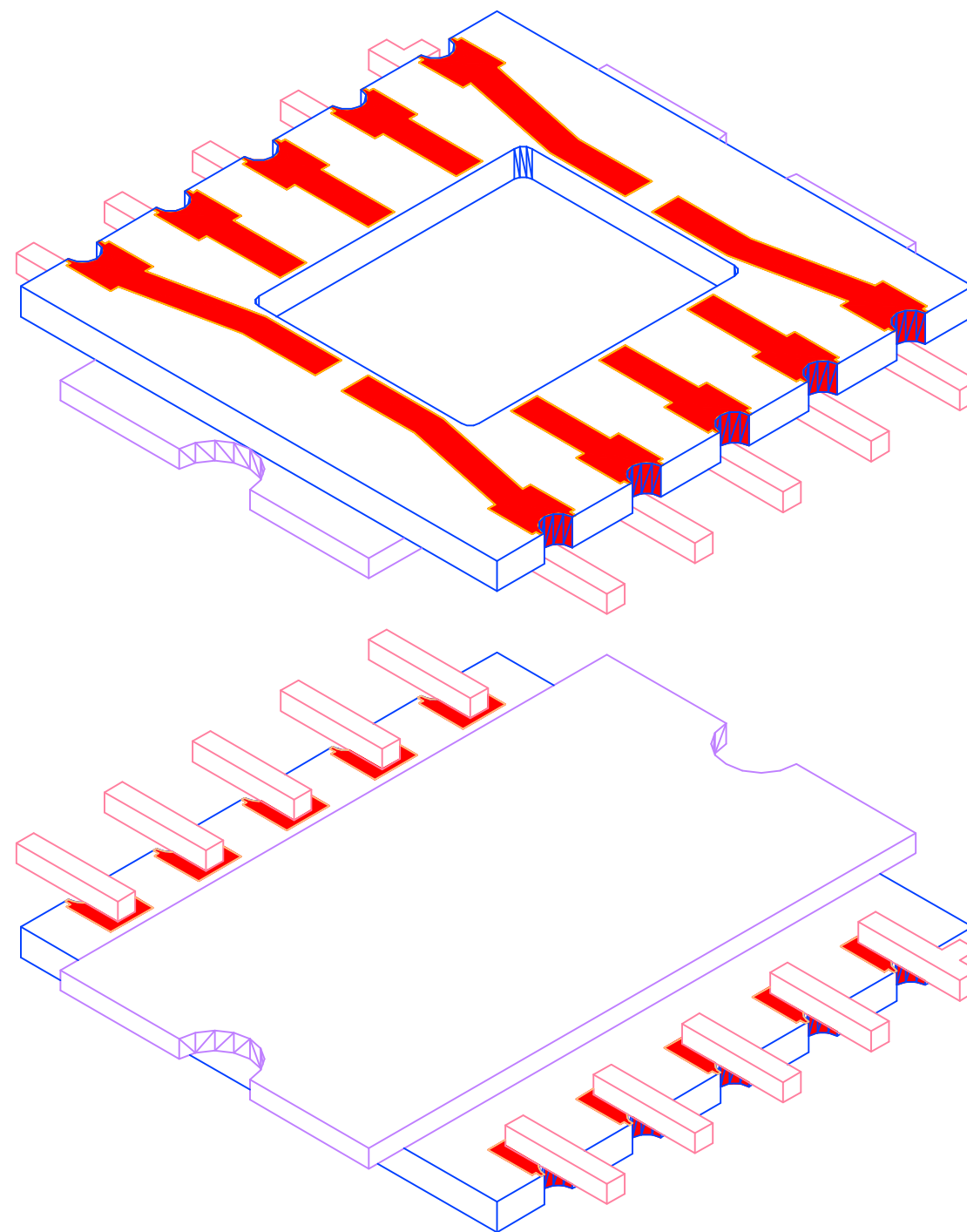
PROPRIETARY  
 THE INFORMATION CONTAINED IN OR DISCLOSED BY THIS DOCUMENT IS CONSIDERED PROPRIETARY BY STRATEDGE CORPORATION. THE ITEMS AND INFORMATION CONTAINED OR DISCLOSED HEREIN SHALL NOT BE USED, COPIED OR REPRODUCED IN WHOLE OR IN PART, NOR SHALL THE CONTENTS BE REVEALED IN ANY MANNER TO ANY PERSON UNLESS WRITTEN PERMISSION IS FIRST OBTAINED FROM STRATEDGE CORPORATION.


NOTES, UNLESS OTHERWISE SPECIFIED:

- 1 MATERIAL: BASE SHALL BE MATCHED EXPANSION, HIGH THERMAL CONDUCTIVITY METAL. CERAMIC SHALL BE 92%  $Al_2O_3$  MINIMUM. LEAD FRAME SHALL BE KOVAR.
2. LEAD, BASE, AND CERAMIC GOLD PLATING THICKNESS SHALL BE 50 MICROINCHES MINIMUM, MEASURED ON MAJOR FLATS.
3. LEAD, BASE, AND CERAMIC NICKEL UNDERPLATE SHALL BE 100 TO 350 MICROINCHES, MEASURED ON MAJOR FLATS.
4. LID: REFERENCE STRATEDGE PART NUMBER 200076.

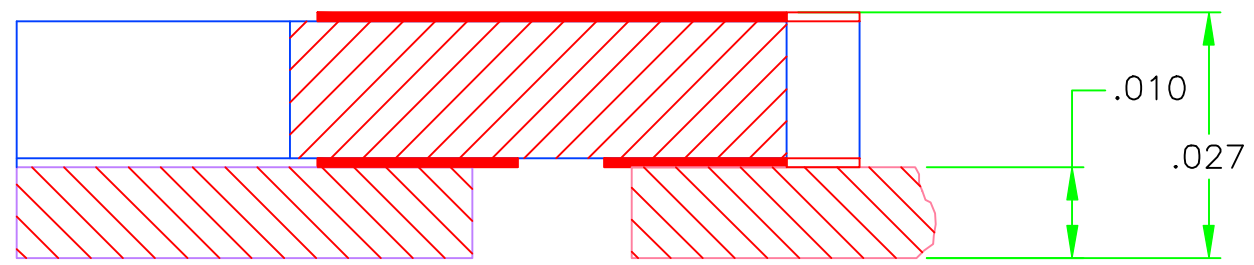
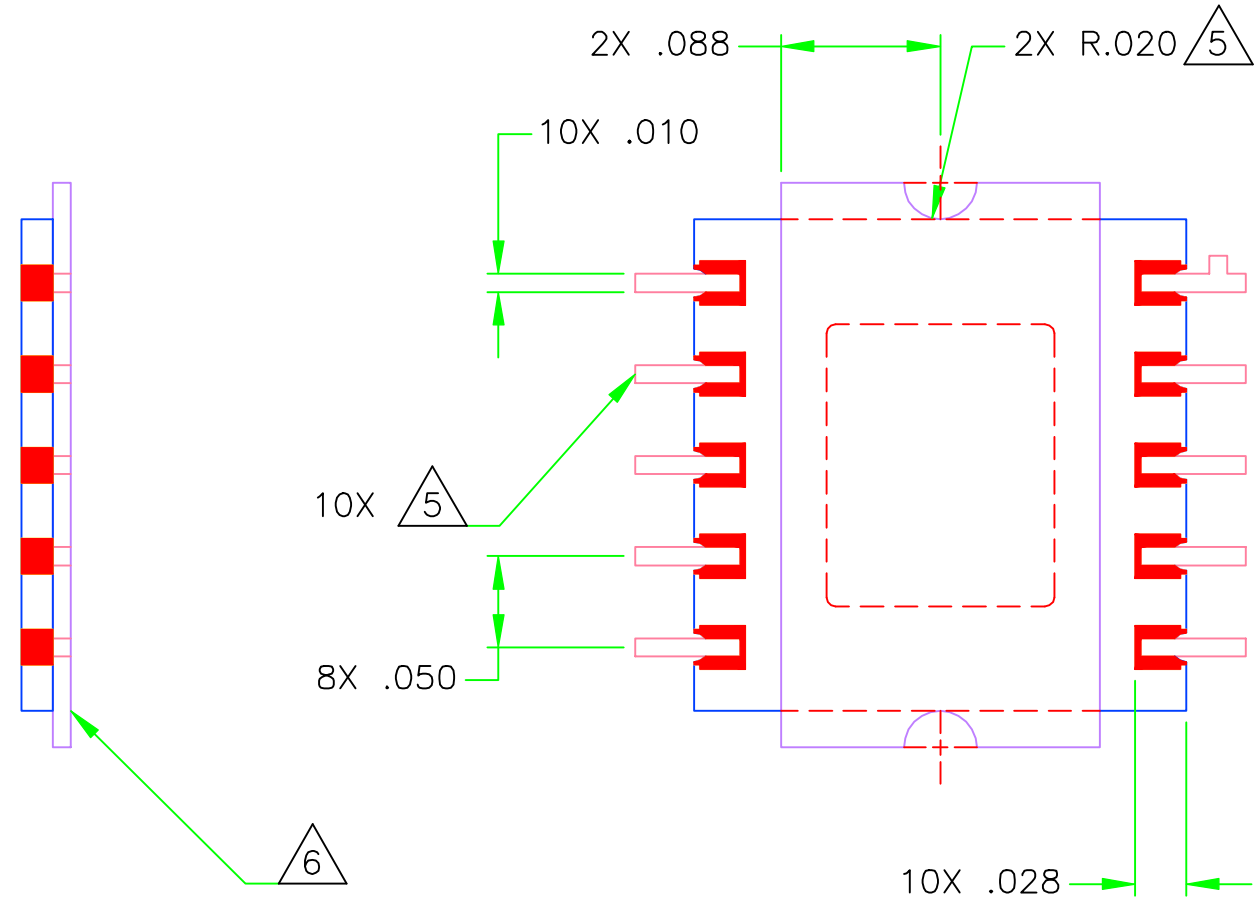
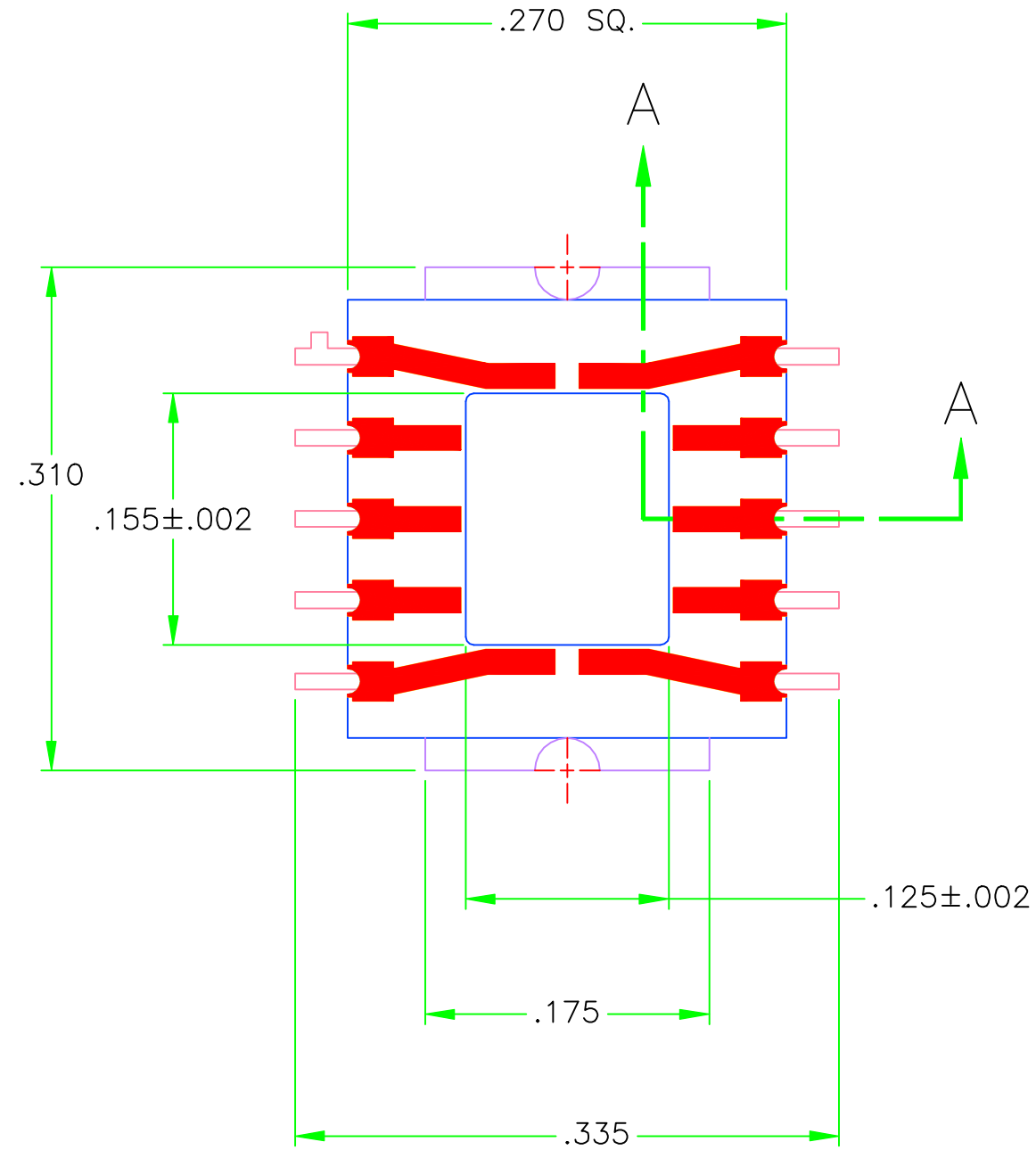
5 UN-PLATED SURFACES ARE ACCEPTABLE IN THE FOLLOWING AREAS: LEAD TIPS AND BASE RADII.

6 BOTTOM OF BASE AND BOTTOM OF 10 LEADS TO BE COPLANER WITHIN .005.



UNLESS OTHERWISE SPECIFIED ● DIMENSIONS ARE IN INCHES [MM] ● TOLERANCES: ANGLES +/- 1 DEG 4 PL DECIMALS ±.0005 [.013] 3 PL DECIMALS ±.005 [.13] 2 PL DECIMALS ±.01 [.25]	DRAFTER	DATE	 4393 Viewridge Avenue San Diego, CA 92123	
	PROJECT ENGINEER	DATE		
	CHECKER	DATE	OUTLINE/CATALOG DRAWING FOR 580385	
	MARKETING	DATE		
			SIZE B CAGE CODE OHZT6 DRAWING NO C580385 REV A	
			SCALE NONE C580385A1 SHEET 1 OF 2	

PROPRIETARY  
 THE INFORMATION CONTAINED IN OR DISCLOSED BY THIS DOCUMENT IS CONSIDERED  
 PROPRIETARY BY STRATEDGE CORPORATION. THE ITEMS AND INFORMATION CONTAINED  
 OR DISCLOSED HEREIN SHALL NOT BE USED, COPIED OR REPRODUCED IN WHOLE OR IN  
 PART, NOR SHALL THE CONTENTS BE REVEALED IN ANY MANNER TO ANY PERSON  
 UNLESS WRITTEN PERMISSION IS FIRST OBTAINED FROM STRATEDGE CORPORATION.



SECTION: A-A

	SIZE	CAGE CODE	DRAWING NO	REV
	B	OHZT6	C580385	A
SCALE	NONE	C580385A2	SHEET	2 OF 2