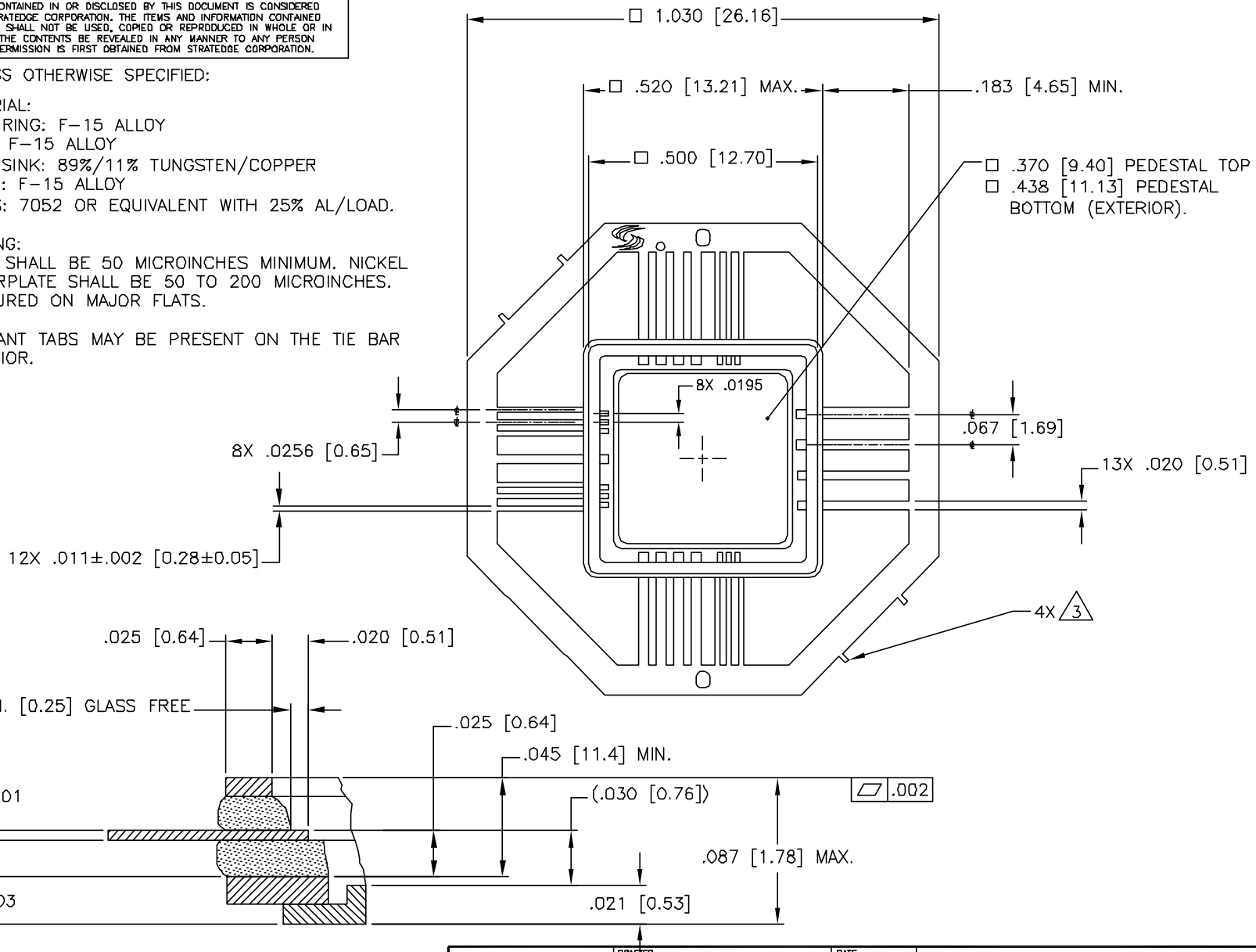



PROPRIETARY
 THE INFORMATION CONTAINED IN OR DISCLOSED BY THIS DOCUMENT IS CONSIDERED PROPRIETARY BY STRATEGEDGE CORPORATION. THE ITEMS AND INFORMATION CONTAINED OR DISCLOSED HEREIN SHALL NOT BE USED, COPIED OR REPRODUCED IN WHOLE OR IN PART, NOR SHALL THE CONTENTS BE REVEALED IN ANY MANNER TO ANY PERSON UNLESS WRITTEN PERMISSION IS FIRST OBTAINED FROM STRATEGEDGE CORPORATION.

NOTES, UNLESS OTHERWISE SPECIFIED:

- 1 MATERIAL:
 SEAL RING: F-15 ALLOY
 BASE: F-15 ALLOY
 HEAT SINK: 89%/11% TUNGSTEN/COPPER
 LEADS: F-15 ALLOY
 GLASS: 7052 OR EQUIVALENT WITH 25% AL/LOAD.
- 2 PLATING:
 GOLD SHALL BE 50 MICROINCHES MINIMUM. NICKEL UNDERPLATE SHALL BE 50 TO 200 MICROINCHES. MEASURED ON MAJOR FLATS.
- 3 REMNANT TABS MAY BE PRESENT ON THE TIE BAR EXTERIOR.



UNLESS OTHERWISE SPECIFIED ● DIMENSIONS ARE IN INCHES [MM] ● TOLERANCES: ANGLES +/- 1 DEG 4 PL DECIMALS ±.0005 [.013] 3 PL DECIMALS ±.005 [.13] 2 PL DECIMALS ±.01 [.25]	DRAFTER	DATE	 STRAT 4393 Viewridge Avenue San Diego, CA 92123	
	PROJECT ENGINEER	DATE		
	CHECKER	DATE		
	MARKETING	DATE		
	QA	DATE		
GLASS WALL FLATPACK .500 SQ. WITH 13 LEADS AND A CuW BOTTOM			SIZE CAGE CODE DRAWING NO REV A OHZT6 G505OCT-3 -	
SCALE NONE		G505OCT-3		SHEET 1 OF 1