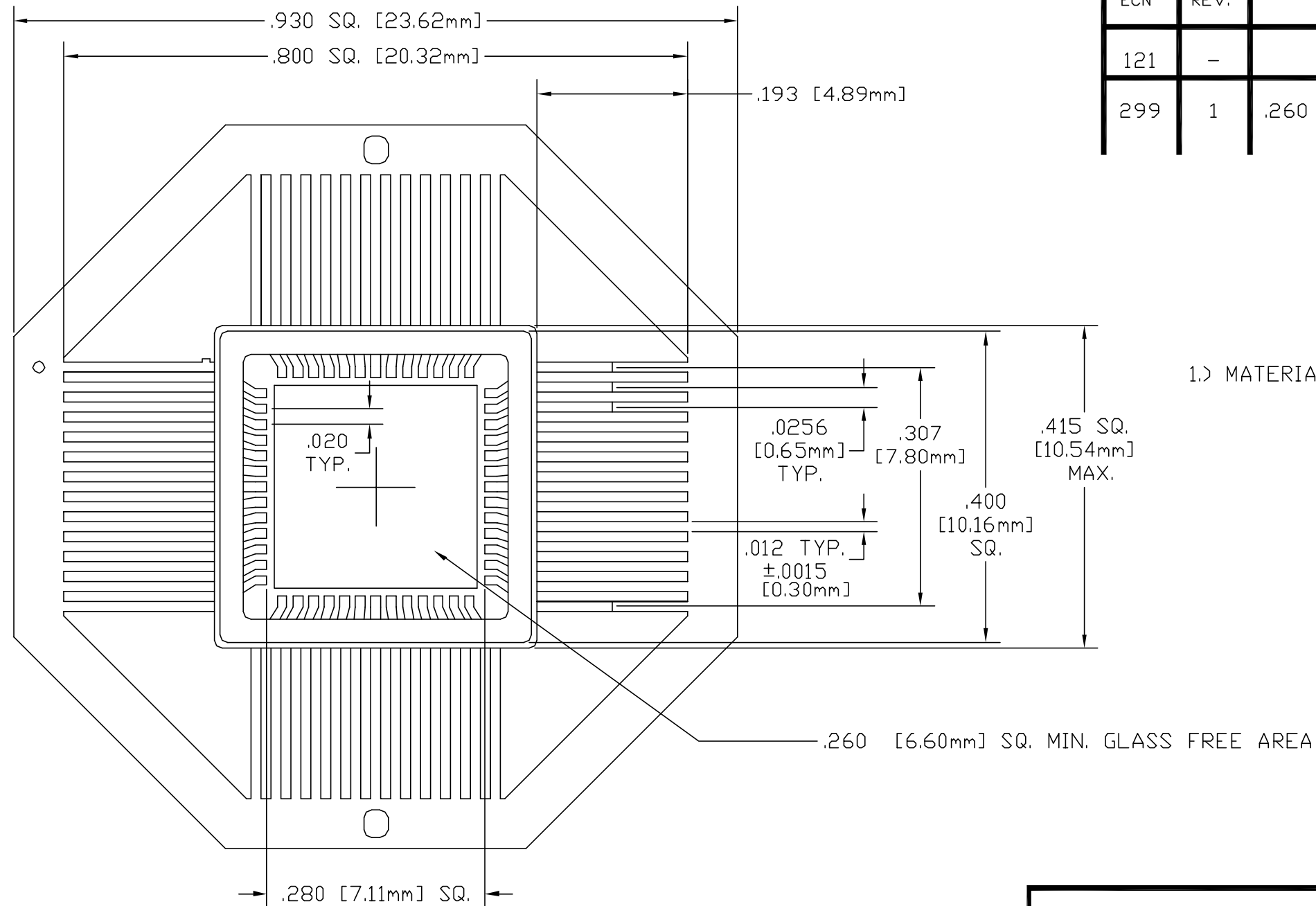


ECN	REV.	DESCRIPTION	DATE	APP'D:
121	-	INITIAL RELEASE	3-31-98	
299	1	.260 MIN. GLASS FREE ADDED	3-31-98	



NOTES:

- MATERIAL: SEAL RING - F-15 ALLOY  
 BASE - F-15 ALLOY  
 LEADS - F-15 ALLOY  
 GLASS - 7052 WITH 25% AL/LOAD

PROPRIETARY  
 THE INFORMATION CONTAINED IN OR DISCLOSED BY THIS DOCUMENT IS CONSIDERED PROPRIETARY BY STRATEDGE CORPORATION. THE ITEMS AND INFORMATION CONTAINED OR DISCLOSED HEREIN SHALL NOT BE USED, COPIED OR REPRODUCED IN WHOLE OR IN PART, NOR SHALL THE CONTENTS BE REVEALED IN ANY MANNER TO ANY PERSON UNLESS WRITTEN PERMISSION IS FIRST OBTAINED FROM STRATEDGE CORPORATION.



STRAT  
 PTI Division

125 John Hancock Rd.  
 Myles Standish Industrial Park  
 Taunton MA 02780

TITLE: 52 LEAD GLASS WALL .400 [10.16mm] SQ.			
MATERIAL: SEE NOTES	SCALE: N/A	DRAWN BY: ASD	
WHERE USED: -	DATE: 3-9-98	APP'D: DCT	
GEN. TOL.: ±.005 [0.13mm]	DWG. NO.: G4040M-5	REV. 1	

