

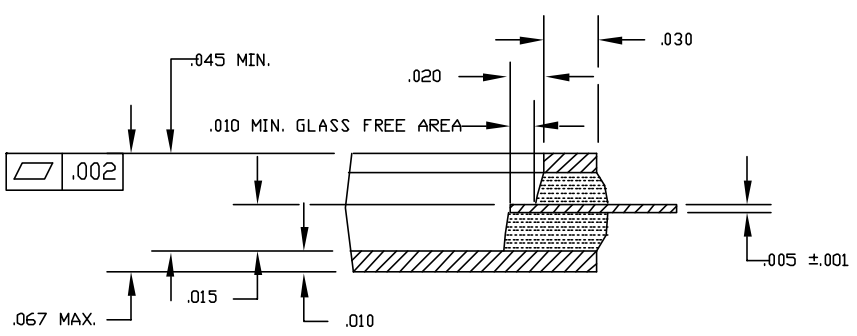
ECN	REV.	DESCRIPTION	DATE	APP'D:
-	-	PRELIMINARY RELEASE	10-8-02	

NOTES:

- 1.) MATERIAL: SEAL RING - F-15 ALLOY
- BASE - F-15 ALLOY
- LEADS - F-15 ALLOY
- GLASS - 7052 WITH 25% AL/LOAD

.015 ±.002
 .050 TYP.

.190 SQ. MIN. GLASS FREE AREA



PROPRIETARY
 THE INFORMATION CONTAINED IN OR DISCLOSED BY THIS DOCUMENT IS CONSIDERED PROPRIETARY BY STRATEDGE CORPORATION. THE ITEMS AND INFORMATION CONTAINED OR DISCLOSED HEREIN SHALL NOT BE USED, COPIED OR REPRODUCED IN WHOLE OR IN PART, NOR SHALL THE CONTENTS BE REVEALED IN ANY MANNER TO ANY PERSON UNLESS WRITTEN PERMISSION IS FIRST OBTAINED FROM STRATEDGE CORPORATION.

STRAT  125 John Hancock Rd.
 Myles Standish Industrial Park
 Taunton MA 02780
 PTI Division

TITLE: 14 LEAD GLASS WALL .305 SQ.

MATERIAL: SEE NOTES	SCALE: N/A	DRAWN BY: ASD
WHERE USED: -	DATE: 10-8-02	APP'D: DCT
GEN. TOL.: ±.005	DWG. NO.: G3030M-1	REV.: -