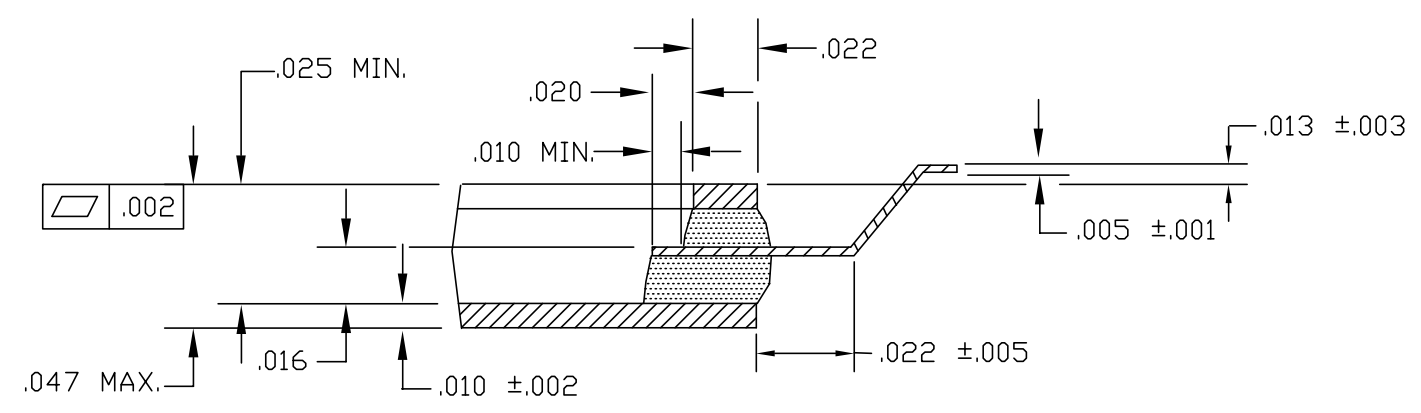


ECN	REV.	DESCRIPTION	DATE	APP'D:
-	-	proposed drawing	8-6-02	

- NOTES:
- 1.) MATERIAL: SEAL RING - F-15 ALLOY
 BASE - F-15 ALLOY
 LEADS - F-15 ALLOY
 GLASS - 7052 WITH 25% AL/LOAD
 - 2.) All leads on each side shall be formed to within .005 TIR of each other.



PROPRIETARY
 THE INFORMATION CONTAINED IN OR DISCLOSED BY THIS DOCUMENT IS CONSIDERED PROPRIETARY BY STRATEDGE CORPORATION. THE ITEMS AND INFORMATION CONTAINED OR DISCLOSED HEREIN SHALL NOT BE USED, COPIED OR REPRODUCED IN WHOLE OR IN PART, NOR SHALL THE CONTENTS BE REVEALED IN ANY MANNER TO ANY PERSON UNLESS WRITTEN PERMISSION IS FIRST OBTAINED FROM STRATEDGE CORPORATION.

125 John Hancock Rd.
 Myles Standish Industrial Park
 Taunton MA 02780

STRATEDGE
PTI Division

TITLE: 32 LEAD GLASS FLATPACK WITH FORMED LEADS

MATERIAL: SEE NOTES	SCALE: 10 to 1	DRAWN BY: ASD
WHERE USED: G2121M-7G	DATE: 8-6-02	APP'D: DCT
GEN. TOL.: DECIMAL: ±.005	DWG. NO.: G2121M-7MOD	REV.: -