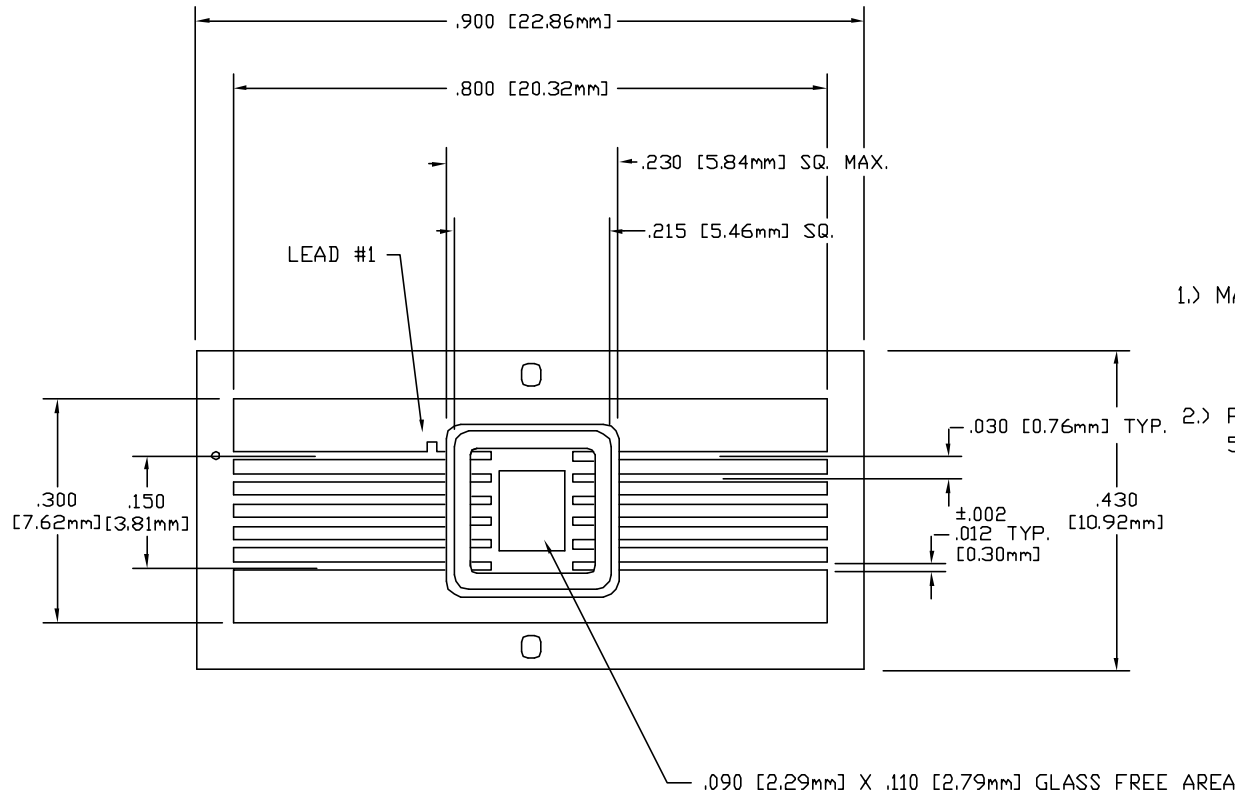
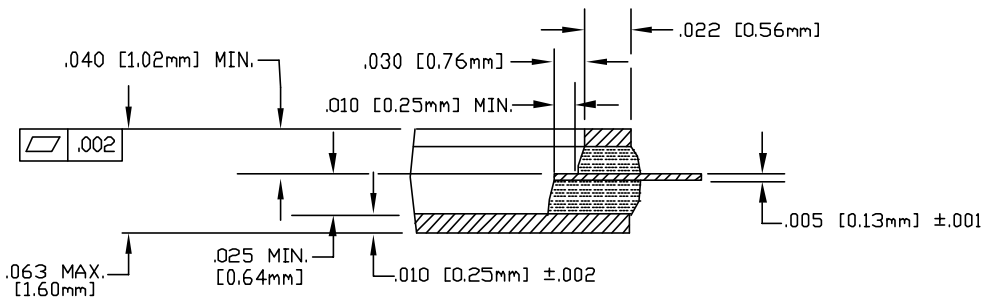


ECN	REV.	DESCRIPTION	DATE	APP'D:
095	2	REDIMENSIONED	1-30-97	
249	3	REDIMENSIONED	6-8-01	



NOTES:

- 1.) MATERIAL: SEAL RING - F-15 ALLOY  
 BASE - F-15 ALLOY  
 LEADS - F-15 ALLOY  
 GLASS - 7052 WITH 25% AL/LOAD
- 2.) PLATING: 50 'U' MIN. GOLD PER MIL-G-45204 OVER  
 50 - 200 'U' ELECTROLYTIC NICKEL PER MIL QQ-N-290.



PROPRIETARY  
 THE INFORMATION CONTAINED IN OR DISCLOSED BY THIS DOCUMENT IS CONSIDERED PROPRIETARY BY STRATEDGE CORPORATION. THE ITEMS AND INFORMATION CONTAINED OR DISCLOSED HEREIN SHALL NOT BE USED, COPIED OR REPRODUCED IN WHOLE OR IN PART, NOR SHALL THE CONTENTS BE REVEALED IN ANY MANNER TO ANY PERSON UNLESS WRITTEN PERMISSION IS FIRST OBTAINED FROM STRATEDGE CORPORATION.



STRAT  
 PTI Division

125 John Hancock Rd.  
 Myles Standish Industrial Park  
 Taunton MA 02780

TITLE: 12 LEAD GLASS FLATPACK  
 .215 [5.46mm] SQ.

MATERIAL: SEE NOTES SCALE: NONE DRAWN BY: ASD

WHERE USED: DATE: 6-8-01 APP'D: DCT

GEN. TOL: ±.005 [0.13mm] DWG. NO.: G2121M-2 REV.: 3