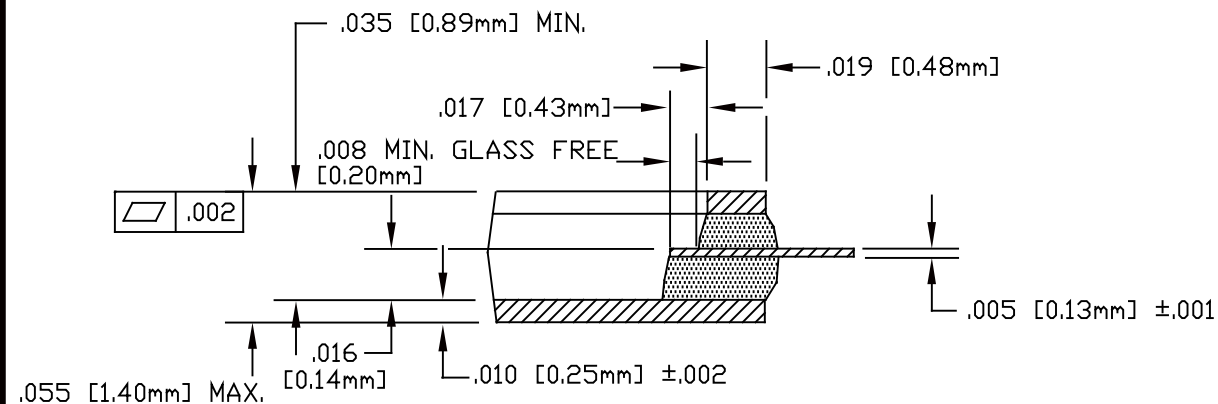
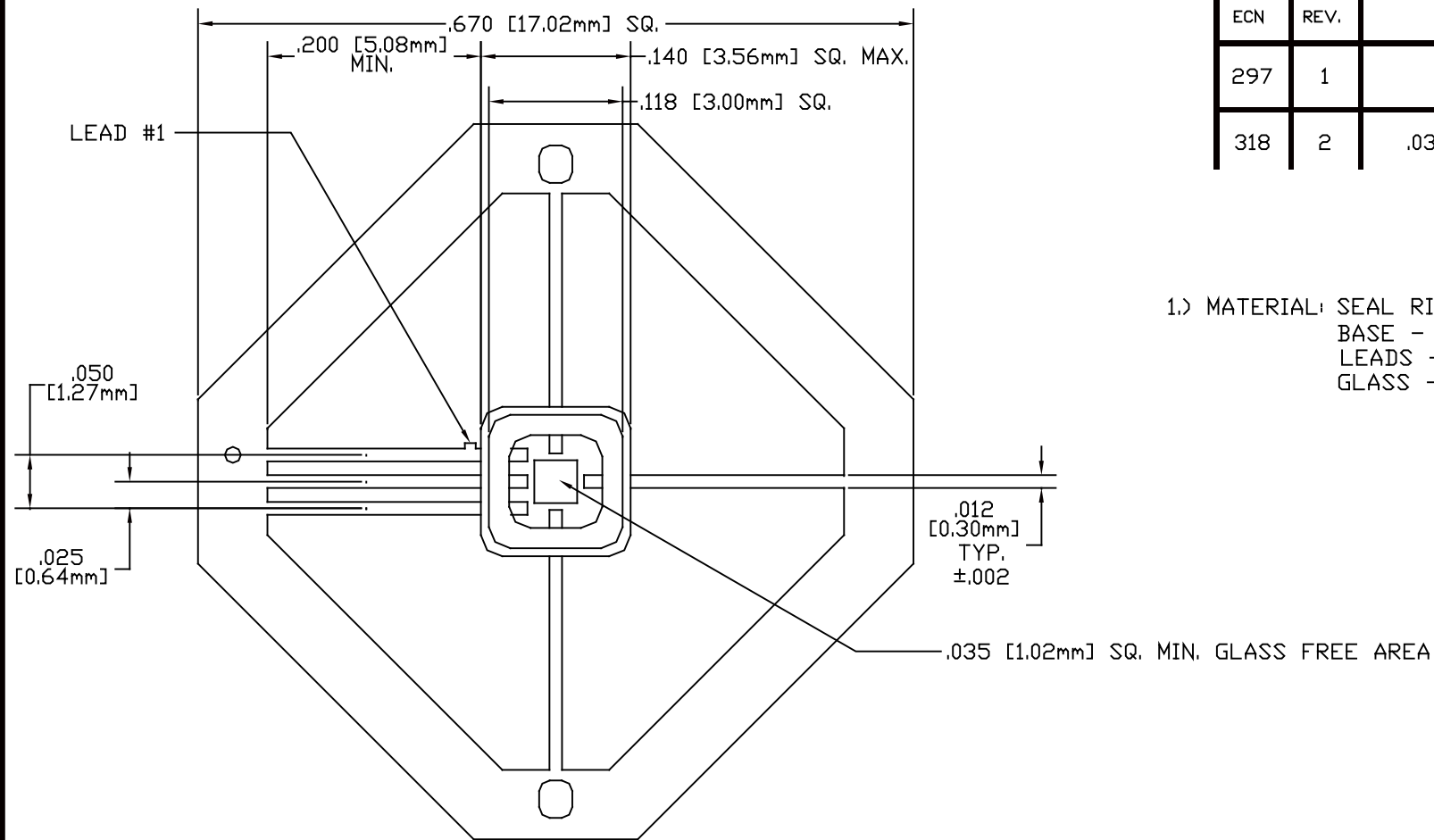


ECN	REV.	DESCRIPTION	DATE	APP'D
297	1	INITIAL RELEASE	11-25-02	
318	2	.035 MIN. WAS .040 MIN.	2-26-03	

NOTES:

- MATERIAL: SEAL RING - F-15 ALLOY
 BASE - F-15 ALLOY
 LEADS - F-15 ALLOY
 GLASS - 7052 WITH 25% AL/LOAD



PROPRIETARY
 THE INFORMATION CONTAINED IN OR DISCLOSED BY THIS DOCUMENT IS CONSIDERED PROPRIETARY BY STRATEDGE CORPORATION. THE ITEMS AND INFORMATION CONTAINED OR DISCLOSED HEREIN SHALL NOT BE USED, COPIED OR REPRODUCED IN WHOLE OR IN PART, NOR SHALL THE CONTENTS BE REVEALED IN ANY MANNER TO ANY PERSON UNLESS WRITTEN PERMISSION IS FIRST OBTAINED FROM STRATEDGE CORPORATION.



STRATEDGE

125 John Hancock Rd.
 Myles Standish Industrial Park
 Taunton MA 02780

TITLE: GLASS WALL FLAT PACK WITH 6 LEADS .118 [3.00mm] SQ.		
MATERIAL: SEE NOTES	SCALE: N/A	DRAWN BY: ASD
WHERE USED: -	DATE: 11-25-02	APP'D: DCT
GEN. TOL: ±.005 [0.13mm]	DWG. NO.: G1111M-1	REV. 2