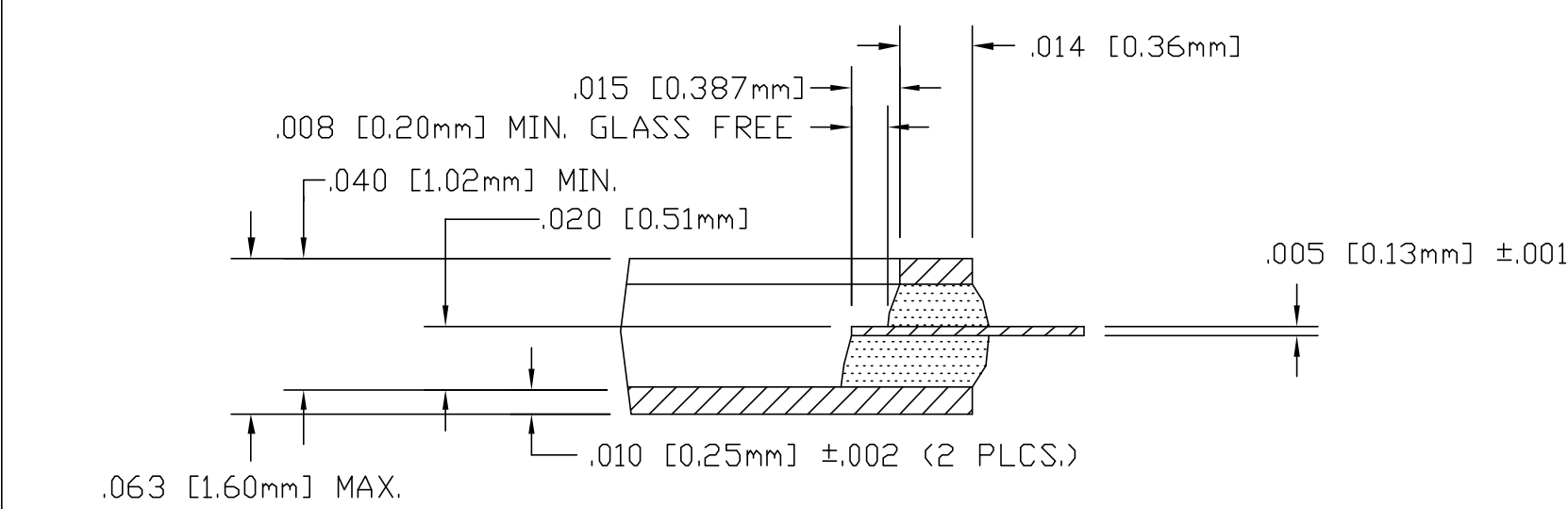




ECN	REV.	DESCRIPTION	DATE	APP'D:
256	-	INITIAL RELEASE	7-17-01	
261	1	REVISION	10-16-01	
304	2	REVISION	1-23-03	

NOTES:

- 1.) MATERIAL: SEAL RING - F-15 ALLOY
- BASE - F-15 ALLOY
- LEADS - F-15 ALLOY
- GLASS - 7052 WITH 25% AL/LOAD



PROPRIETARY
 THE INFORMATION CONTAINED IN OR DISCLOSED BY THIS DOCUMENT IS CONSIDERED PROPRIETARY BY STRATEDGE CORPORATION. THE ITEMS AND INFORMATION CONTAINED OR DISCLOSED HEREIN SHALL NOT BE USED, COPIED OR REPRODUCED IN WHOLE OR IN PART, NOR SHALL THE CONTENTS BE REVEALED IN ANY MANNER TO ANY PERSON UNLESS WRITTEN PERMISSION IS FIRST OBTAINED FROM STRATEDGE CORPORATION.

 **STRAT**  125 John Hancock Rd.
 Myles Standish Industrial Park
 Taunton MA 02780
 PTI Division

TITLE: GLASS FLATPACK WITH THREE LEADS
 .098 [2.50mm] SQ.

MATERIAL: SEE NOTES	SCALE: N/A	DRAWN BY: ASD
WHERE USED: -	DATE: 7-17-01	APP'D: DCT

GEN. TOL.: ±.005 [0.13mm]	DWG. NO.: G1010M-9	REV.: 2
---------------------------------	-----------------------	------------