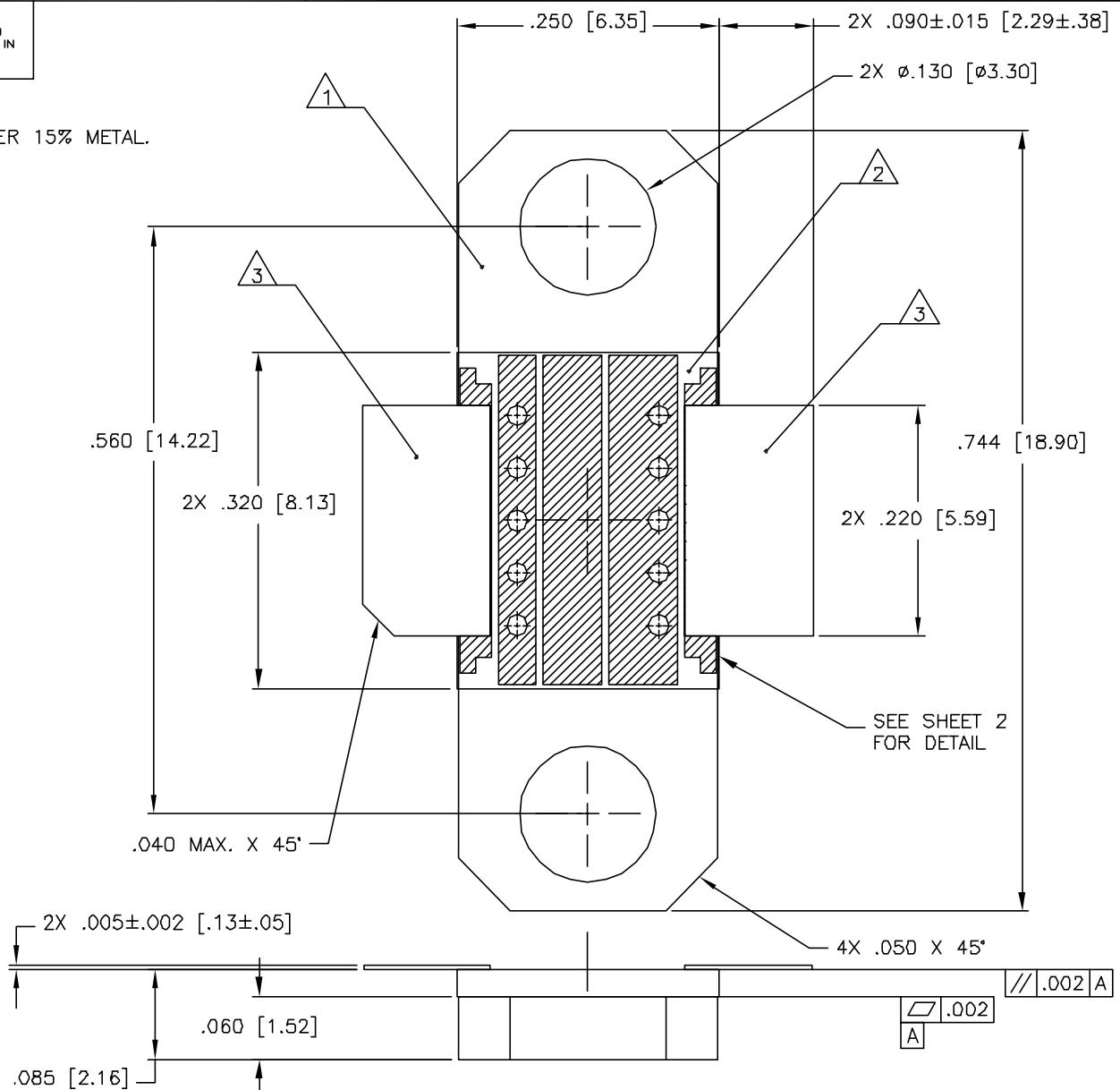


PROPRIETARY
 THE INFORMATION CONTAINED IN OR DISCLOSED BY THIS DOCUMENT IS CONSIDERED PROPRIETARY BY STRATEGGE CORPORATION. THE ITEMS AND INFORMATION CONTAINED OR DISCLOSED HEREIN SHALL NOT BE USED, COPIED OR REPRODUCED IN WHOLE OR IN PART, NOR SHALL THE CONTENTS BE REVEALED IN ANY MANNER TO ANY PERSON UNLESS WRITTEN PERMISSION IS FIRST OBTAINED FROM STRATEGGE CORPORATION.

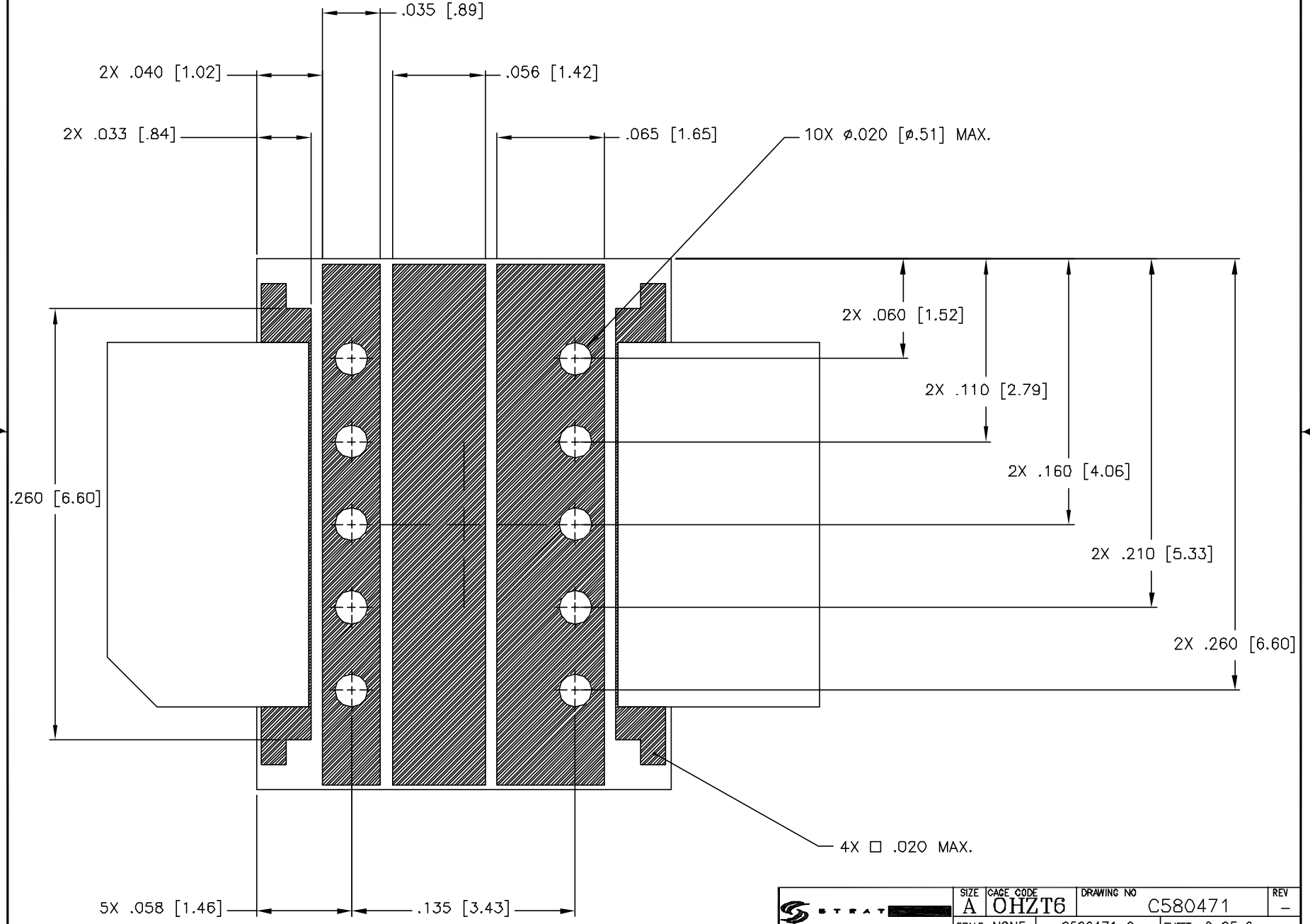
NOTES, UNLESS OTHERWISE SPECIFIED:

- 1. BASE MATERIAL IS TUNGSTEN 85%, COPPER 15% METAL.
- 2. REFRACTORY METALLIZED, 99.5% BEO.
- 3. LEAD MATERIAL: ALLOY 42.
- 4. GOLD PLATING THICKNESS SHALL BE 150 MICRONS MINIMUM, MEASURED ON MAJOR FLATS.
- 5. NICKEL UNDERPLATE SHALL BE 100 MICRONS MINIMUM, MEASURED ON MAJOR FLATS.
- 6. BAKE TEST: 5 MIN. @ 450°C, WITH NO EVIDENCE OF BLISTERING, FLAKING, DISCOLORATION, OR DELAMINATION.
- 7. LEAD PULL TEST: 5 LB MIN. @ 0°.
- 8. LEAD PEEL TEST: 2 LB MIN. @ 90°.
- 9. BRAZE BUILDUP OF .001 MAX. ALLOWED UNDER LEADS.
- 10. ANGULAR ALIGNMENT OF LEADS TO BASE PATTERN TO BE WITHIN ± 1.5° OF CENTER LINES.
- 11. THRU HOLES SHALL HAVE 70% MINIMUM COVERAGE ON INSIDE WALLS,



UNLESS OTHERWISE SPECIFIED ● DIMENSIONS ARE IN INCHES [MM] ● TOLERANCES: ANGLES +/- 1 DEG 4 PL DECIMALS ±.0005 [.013] 3 PL DECIMALS ±.005 [.13] 2 PL DECIMALS ±.01 [.25]	DRAFTER	DATE	4393 Viewridge Avenue San Diego, CA 92123	
	PROJECT ENGINEER	DATE		
	CHECKER	DATE	RF TRANSISTOR PACKAGE OUTLINE / CATALOG DRAWING	
	MARKETING	DATE		
	QA	DATE	SIZE CAGE CODE A OHZT6	DRAWING NO C580471
SCALE NONE		C580471_1	SHEET 1 OF 2	

PROPRIETARY
 THE INFORMATION CONTAINED IN OR DISCLOSED BY THIS DOCUMENT IS CONSIDERED
 PROPRIETARY BY STRATEDGE CORPORATION. THE ITEMS AND INFORMATION CONTAINED
 OR DISCLOSED HEREIN SHALL NOT BE USED, COPIED OR REPRODUCED IN WHOLE OR IN
 PART, NOR SHALL THE CONTENTS BE REVEALED IN ANY MANNER TO ANY PERSON
 UNLESS WRITTEN PERMISSION IS FIRST OBTAINED FROM STRATEDGE CORPORATION.



 STRATEDGE	SIZE	CAGE CODE	DRAWING NO	REV
	A	OHZT6	C580471	-
SCALE	NONE	C580471_2	SHEET 2 OF 2	