

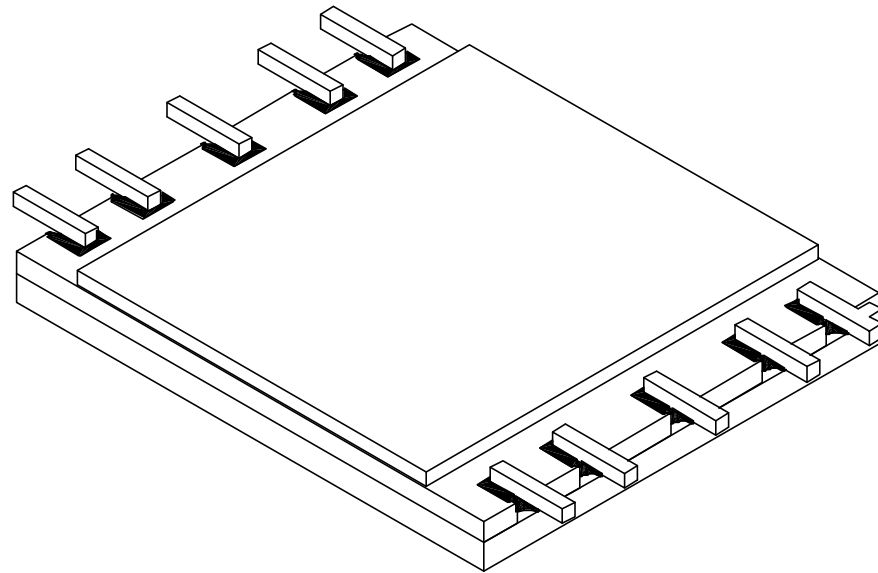
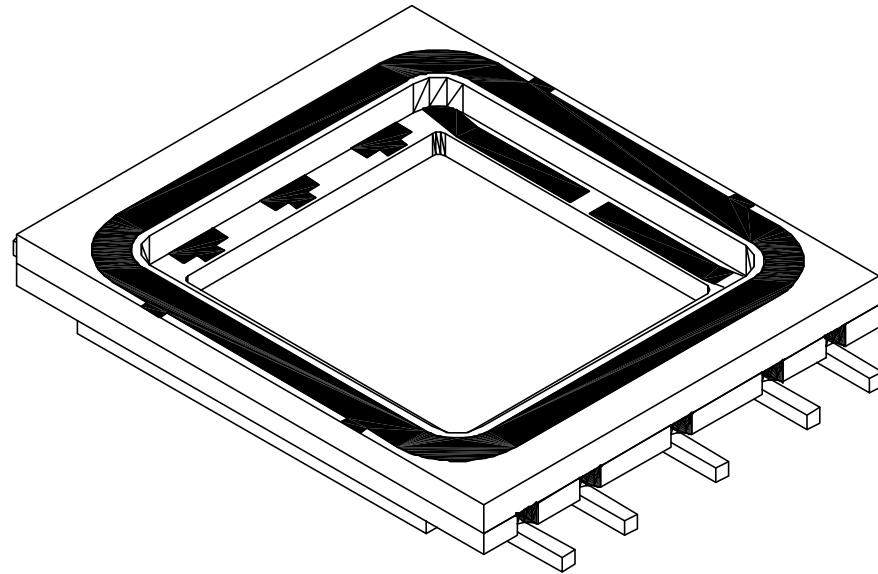
PROPRIETARY
 THE INFORMATION CONTAINED IN OR DISCLOSED BY THIS DOCUMENT IS CONSIDERED PROPRIETARY BY STRATEGGE CORPORATION. THE ITEMS AND INFORMATION CONTAINED OR DISCLOSED HEREIN SHALL NOT BE USED, COPIED OR REPRODUCED IN WHOLE OR IN PART, NOR SHALL THE CONTENTS BE REVEALED IN ANY MANNER TO ANY PERSON UNLESS WRITTEN PERMISSION IS FIRST OBTAINED FROM STRATEGGE CORPORATION.


NOTES, UNLESS OTHERWISE SPECIFIED:

1. MATERIAL: BASE SHALL BE MATCHED EXPANSION, HIGH THERMAL CONDUCTIVITY METAL. CERAMIC SHALL BE 96% Al_2O_3 . LEAD FRAME SHALL BE KOVAR.
2. LEAD, BASE, AND CERAMIC GOLD PLATING THICKNESS SHALL BE 50 MICROINCHES MINIMUM, MEASURED ON MAJOR FLATS.
3. LEAD, BASE, AND CERAMIC NICKEL UNDERPLATE SHALL BE 100 TO 350 MICROINCHES, MEASURED ON MAJOR FLATS.
4. LID: REFERENCE STRATEGGE PART NUMBER CL3230-1.

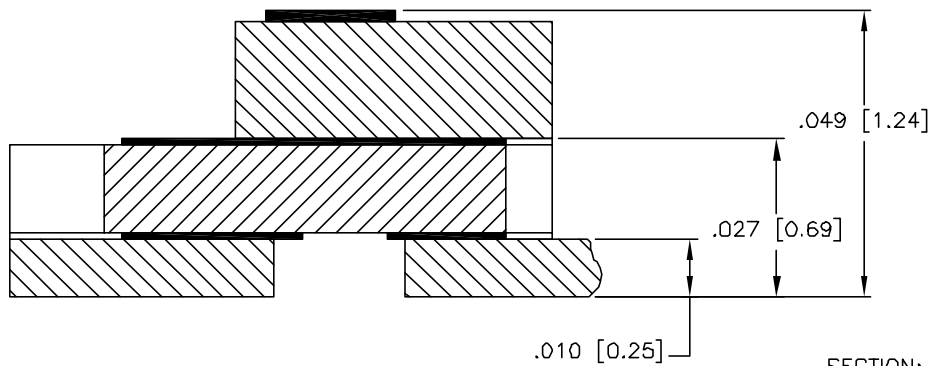
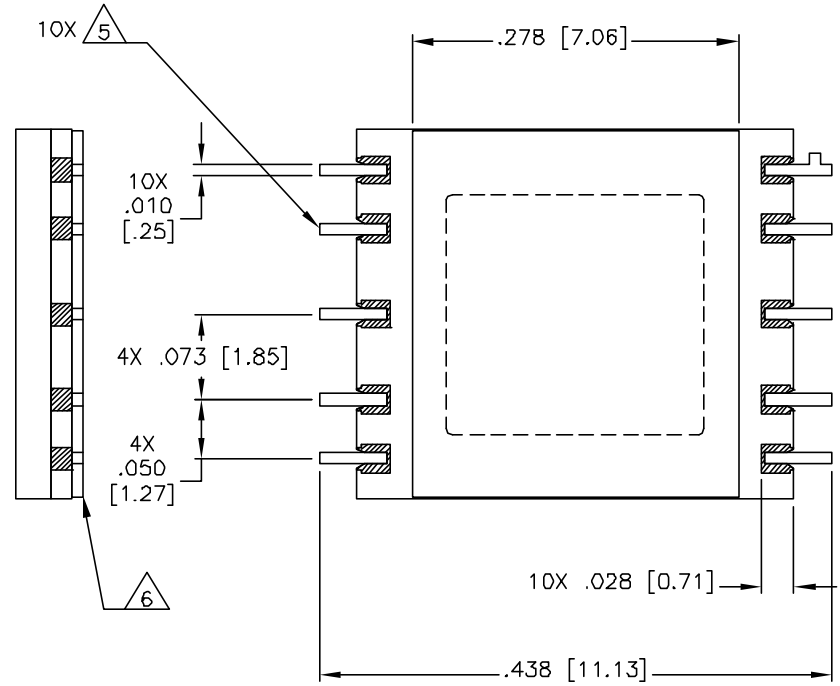
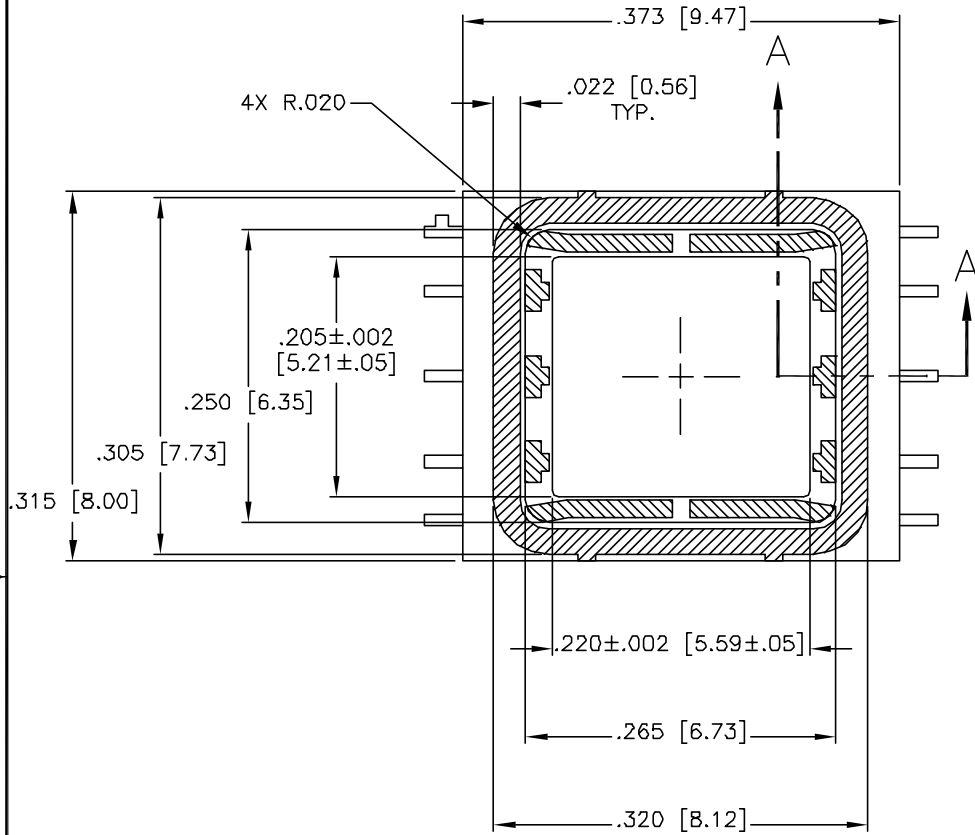
5 UN-PLATED SURFACES ARE ACCEPTABLE IN THE FOLLOWING AREAS: LEAD TIPS AND PLATING CLIP MARKS ON BASE EDGES.

6 BOTTOM OF BASE AND BOTTOM OF 10 LEADS TO BE COPLANER WITHIN .005.



UNLESS OTHERWISE SPECIFIED ● DIMENSIONS ARE IN INCHES [MM] ● TOLERANCES: ANGLES +/- 1 DEG 4 PL DECIMALS ±.0005 [.013] 3 PL DECIMALS ±.005 [.13] 2 PL DECIMALS ±.01 [.25]	DRAFTER	DATE	 4393 Viewridge Avenue San Diego, CA 92123	
	PROJECT ENGINEER	DATE		
	CHECKER	DATE	SMX-HERMITIC, 10 LEAD OUTLINE/CATALOG DRAWING	
	MARKETING	DATE		
	QA	DATE	SIZE CAGE CODE A OHZT6	DRAWING NO C580465
		SCALE NONE	C580465A1	SHEET 1 OF 2

PROPRIETARY
 THE INFORMATION CONTAINED IN OR DISCLOSED BY THIS DOCUMENT IS CONSIDERED
 PROPRIETARY BY STRATEGIC CORPORATION. THE ITEMS AND INFORMATION CONTAINED
 OR DISCLOSED HEREIN SHALL NOT BE USED, COPIED OR REPRODUCED IN WHOLE OR IN
 PART, NOR SHALL THE CONTENTS BE REVEALED IN ANY MANNER TO ANY PERSON
 UNLESS WRITTEN PERMISSION IS FIRST OBTAINED FROM STRATEGIC CORPORATION.



SECTION: A-A

	SIZE	CAGE CODE	DRAWING NO	REV
	B	0H2T6	C580465	A
SCALE	NONE	C580465A2	SHEET 2 OF 2	